

**SHARP**<sup>®</sup>

# **PN-80TH5**

**LCD MONITOR**

**OPERATION MANUAL**

**HDMI**



### **Information on the Disposal of this Equipment and its Batteries**

**IF YOU WISH TO DISPOSE OF THIS EQUIPMENT OR ITS BATTERIES, DO NOT USE THE ORDINARY WASTE BIN, AND DO NOT PUT THEM INTO A FIREPLACE!**

Used electrical and electronic equipment and batteries should always be collected and treated SEPARATELY in accordance with local law.

Separate collection promotes an environment-friendly treatment, recycling of materials, and minimizing final disposal of waste. IMPROPER DISPOSAL can be harmful to human health and the environment due to certain substances! Take USED EQUIPMENT to a local, usually municipal, collection facility, where available.

Remove USED BATTERIES from equipment, and take them to a battery collection facility; usually a place where new batteries are sold.

If in doubt about disposal, contact your local authorities or dealer and ask for the correct method of disposal.

**ONLY FOR USERS IN THE EUROPEAN UNION, AND SOME OTHER COUNTRIES; FOR INSTANCE NORWAY AND SWITZERLAND:** Your participation in separate collection is requested by law.

The symbol shown above appears on electrical and electronic equipment and batteries (or the packaging) to remind users of this. If 'Hg' or 'Pb' appears below the symbol, this means that the battery contains traces of mercury (Hg) or lead (Pb), respectively.



Users from PRIVATE HOUSEHOLDS are requested to use existing return facilities for used equipment and batteries.

Batteries are collected at points of sale. Return is free of charge.

If the equipment has been used for BUSINESS PURPOSES, please contact your SHARP dealer who will inform you about take-back. You might be charged for the costs arising from take-back. Small equipment (and small quantities) might be taken back by your local collection facility. For Spain: Please contact the established collection system or your local authority for take-back of your used products.

# IMPORTANT INFORMATION

**WARNING:** TO REDUCE THE RISK OF FIRE OR ELECTRIC SHOCK, DO NOT EXPOSE THIS PRODUCT TO RAIN OR MOISTURE.

	<b>CAUTION</b> RISK OF ELECTRIC SHOCK DO NOT OPEN	
<p>CAUTION: TO REDUCE THE RISK OF ELECTRIC SHOCK, DO NOT REMOVE COVER. NO USER-SERVICEABLE PARTS INSIDE. REFER SERVICING TO QUALIFIED SERVICE PERSONNEL.</p>		



The lightning flash with arrowhead symbol, within a triangle, is intended to alert the user to the presence of uninsulated "dangerous voltage" within the product's enclosure that may be of sufficient magnitude to constitute a risk of electric shock to persons.



The exclamation point within a triangle is intended to alert the user to the presence of important operating and maintenance (servicing) instructions in the literature accompanying the product.

## FOR CUSTOMERS IN U.K. IMPORTANT

The wires in this mains lead are coloured in accordance with the following code:

<b>GREEN-AND-YELLOW:</b>	<b>Earth</b>
<b>BLUE:</b>	<b>Neutral</b>
<b>BROWN:</b>	<b>Live</b>

As the colours of the wires in the mains lead of this apparatus may not correspond with the coloured markings identifying the terminals in your plug proceed as follows:

- The wire which is coloured GREEN-AND-YELLOW must be connected to the terminal in the plug which is marked by the letter **E** or by the safety earth  $\perp$  or coloured green or green-and-yellow.
- The wire which is coloured BLUE must be connected to the terminal which is marked with the letter **N** or coloured black.
- The wire which is coloured BROWN must be connected to the terminal which is marked with the letter **L** or coloured red.

Ensure that your equipment is connected correctly. If you are in any doubt consult a qualified electrician.

**"WARNING: THIS APPARATUS MUST BE EARTHED."**

To maintain compliance with EMC regulations, use shielded cables to connect to the following terminals: HDMI input terminal, D-SUB input terminal, DisplayPort input/output terminals and RS-232C input terminal.

# DEAR SHARP CUSTOMER

---

Thank you for your purchase of a SHARP LCD product. To ensure safety and many years of trouble-free operation of your product, please read the Safety Precautions carefully before using this product.

## SAFETY PRECAUTIONS

---

Electricity is used to perform many useful functions, but it can also cause personal injuries and property damage if improperly handled. This product has been engineered and manufactured with the highest priority on safety. However, improper use can result in electric shock and/or fire. In order to prevent potential danger, please observe the following instructions when installing, operating and cleaning the product. To ensure your safety and prolong the service life of your LCD product, please read the following precautions carefully before using the product.

1. Read instructions — All operating instructions must be read and understood before the product is operated.
2. Keep this manual in a safe place — These safety and operating instructions must be kept in a safe place for future reference.
3. Observe warnings — All warnings on the product and in the instructions must be observed closely.
4. Follow instructions — All operating instructions must be followed.
5. Cleaning — Unplug the power cord from the power outlet before cleaning the product. Use a dry cloth to clean the product. Do not use liquid cleaners or aerosol cleaners. Do not use dirty cloths. Doing so may damage the product.
6. Attachments — Do not use attachments not recommended by the manufacturer. Use of inadequate attachments can result in accidents.
7. Water and moisture — Do not use the product near water. Do not install the product in a place where water may splash onto it. Be careful of equipment which drains water such as an air-conditioner.
8. Ventilation — The vents and other openings in the cabinet are designed for ventilation. Do not cover or block these vents and openings since insufficient ventilation can cause overheating and/or shorten the life of the product. Do not place the product on a sofa, rug or other similar surface, since they can block ventilation openings. Do not place the product in an enclosed place such as a bookcase or rack, unless proper ventilation is provided or the manufacturer's instructions are followed.
9. Power cord protection — The power cords must be routed properly to prevent people from stepping on them or objects from resting on them.
10. The screen used in this product is made of glass. Therefore, it can break when the product is dropped or applied with impact. Be careful not to be injured by broken glass pieces in case the screen breaks.
11. Overloading — Do not overload power outlets or extension cords. Overloading can cause fire or electric shock.
12. Entering of objects and liquids — Never insert an object into the product through vents or openings. High voltage flows in the product, and inserting an object can cause electric shock and/or short internal parts. For the same reason, do not spill water or liquid on the product.
13. Servicing — Do not attempt to service the product yourself. Removing covers can expose you to high voltage and other dangerous conditions. Request a qualified service person to perform servicing.
14. Repair — If any of the following conditions occurs, unplug the power cord from the power outlet, and request a qualified service person to perform repairs.
  - a. When the power cord or plug is damaged.
  - b. When a liquid was spilled on the product or when objects have fallen into the product.
  - c. When the product has been exposed to rain or water.
  - d. When the product does not operate properly as described in the operating instructions.

Do not touch the controls other than those described in the operating instructions. Improper adjustment of controls not described in the instructions can cause damage, which often requires extensive adjustment work by a qualified technician.
  - e. When the product has been dropped or damaged.
  - f. When the product displays an abnormal condition. Any noticeable abnormality in the product indicates that the product needs servicing.
15. Replacement parts — In case the product needs replacement parts, make sure that the service person uses replacement parts specified by the manufacturer, or those with the same characteristics and performance as the original parts. Use of unauthorized parts can result in fire, electric shock and/or other danger.
16. Safety checks — Upon completion of service or repair work, request the service technician to perform safety checks to ensure that the product is in proper operating condition.
17. Wall mounting — When mounting the product on a wall, be sure to install the product according to the method recommended by the manufacturer.
18. Heat sources — Keep the product away from heat sources such as radiators, heaters, stoves and other heat-generating products (including amplifiers).

# SAFETY PRECAUTIONS (Continued)

19. Batteries — Incorrect use of batteries may cause the batteries to burst or ignite. A leaky battery may corrode the equipment, dirty your hands or spoil your clothing. In order to avoid these problems, make sure to observe the precautions below:
  - Use the specified batteries only.
  - Install the batteries with due attention to the plus (+) and minus (-) sides of the batteries according to the instructions in the compartment.
  - Do not mix old and new batteries.
  - Do not mix batteries of different types. Voltage specifications of batteries of the same shape may vary.
  - Replace an exhausted battery with a new one promptly.
  - If you will not use the remote control for a long time, remove the batteries.
  - If leaked battery fluid gets on your skin or clothing, rinse immediately and thoroughly. If it gets into your eye, bathe your eye well rather than rubbing and seek medical treatment immediately. Leaked battery fluid that gets into your eye or your clothing may cause a skin irritation or damage your eye.
20. Usage of the monitor must not be accompanied by fatal risks or dangers that, could lead directly to death, personal injury, severe physical damage or other loss, including nuclear reaction control in nuclear facility, medical life support system, and missile launch control in a weapon system.
21. Do not stay in contact with the parts of the product that become hot for long periods of time. Doing so may result in low-temperature burns.
22. Do not modify this product.

## **WARNING:**

This is a Class A product. In a domestic environment this product may cause radio interference in which case the user may be required to take adequate measures.

An apparatus with CLASS I construction shall be connected to a MAIN socket outlet with a protective earthing connection.

If a monitor is not positioned in a sufficiently stable location, it can be potentially hazardous due to falling. Many injuries, particularly to children, can be avoided by taking simple precautions such as:

- Using fixing devices like wall mount brackets recommended by the manufacturer.
- Only using furniture that can safely support the monitor.
- Ensuring the monitor is not overhanging the edge of the supporting furniture.
- Not placing the monitor on tall furniture (for example, cupboards or bookcases) without anchoring both the furniture and the monitor to a suitable support.
- Not standing the monitors on cloth or other materials placed between the monitor and supporting furniture.
- Educating children about the dangers of climbing on furniture to reach the monitor or its controls.
- This equipment is not suitable for use in locations where children are likely to be present unsupervised.

## **Especially for child safety**

- Don't allow children to climb on or play with the monitor.
- Don't place the monitor on furniture that can easily be used as steps, such as a chest of drawers.
- Remember that children can become excited while watching a program, especially on a "larger than life" monitor. Care should be taken to place or install the monitor where it cannot be pushed, pulled over, or knocked down.
- Care should be taken to route all cords and cables connected to the monitor so that they cannot be pulled or grabbed by curious children.

# TIPS AND SAFETY INSTRUCTIONS

- The TFT color LCD panel used in this monitor is made with the application of high precision technology. However, there may be minute points on the screen where pixels never light or are permanently lit. Also, if the screen is viewed from an acute angle there may be uneven colors or brightness. Please note that these are not malfunctions but common phenomena of LCDs and will not affect the performance of the monitor.
- Do not display a still picture for a long period, as this could cause a residual image.
- Never rub or tap the monitor with hard objects.
- Please understand that SHARP CORPORATION bears no responsibility for errors made during use by the customer or a third party, nor for any other malfunctions or damage to this product arising during use, except where indemnity liability is recognized under law.
- This monitor and its accessories may be upgraded without advance notice.
- Do not use the monitor where there is a lot of dust, where humidity is high, or where the monitor may come into contact with oil or steam. Do not use in an environment where there are corrosive gases (sulfur dioxide, hydrogen sulfide, nitrogen dioxide, chlorine, ammonia, ozone, etc.). As this could lead to fire.
- Ensure that the monitor does not come into contact with water or other fluids. Ensure that no objects such as paper clips or pins enter the monitor as this could lead to fire or electric shock.
- Do not place the monitor on top of unstable objects or in unsafe places. Do not allow the monitor to receive strong shocks or to strongly vibrate. Causing the monitor to fall or topple over may damage it.
- Do not use the monitor near heating equipment or in places where there is likelihood of high temperature, as this may lead to generation of excessive heat and outbreak of fire.
- Do not use the monitor in places where it may be exposed to direct sunlight. Risk of cabinet deformation and failure if the monitor is used in direct sunlight.
- Images cannot be rotated on this monitor. When using in portrait orientation, you will need to prepare appropriately orientated content in advance.
- The power outlet shall be installed near the equipment and shall be easily accessible.
- Please be sure to constantly remove dust and garbage that has attached to the ventilation opening. If dust collects in the ventilation opening or the inside of the monitor, it may lead to excessive heat, outbreak of fire, or malfunction. Please request a cleaning of the inside of the monitor from an authorized SHARP servicing dealer or service center.
- Do not touch the screen when the monitor power is turned on, it will lead to a malfunction. When this occurs, turn the monitor power off and then on.
- Do not operate the screen with a hard or pointed object such as a fingernail or pencil.
- Depending on the application used, the touch pen may not function.
- If another USB device is connected to the computer to which the touch panel is connected, do not operate the USB device during touch panel input. Input may not take place correctly.
- Do not allow a cable to come near the screen. This may cause the touch panel to malfunction.

## The Power Cord

- Use only the power cord supplied with the monitor.
- Do not damage the power cord nor place heavy objects on it, stretch it or over bend it. Also, do not add extension cords. Damage to the cord may result in fire or electric shock.
- Do not use the power cord with a power tap. Adding an extension cord may lead to fire as a result of overheating.
- Do not remove or insert the power plug with wet hands. Doing so could result in electric shock.
- Unplug the power cord if it is not used for a long time.
- Do not attempt to repair the power cord if it is broken or malfunctioning. Refer the servicing to the service representative.

## Manual Scope

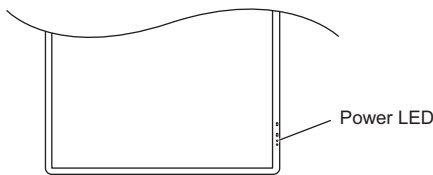
- Microsoft and Windows are either registered trademarks or trademarks of Microsoft Corporation in the United States and/or other countries.
- Apple, Mac, Mac OS and macOS are trademarks of Apple Inc., registered in the U.S. and other countries.
- Google and Chrome OS are trademarks or registered trademarks of Google LLC.
- The terms HDMI and HDMI High-Definition Multimedia Interface, and the HDMI Logo are trademarks or registered trademarks of HDMI Licensing Administrator, Inc. in the United States and other countries.
- DisplayPort is a registered trademark of Video Electronics Standards Association.
- Intel, Celeron, and Intel Core are trademarks or registered trademarks of Intel Corporation or its subsidiaries in the U.S.A. and other countries.
- RoomView, Crestron RoomView and Crestron Connected are either trademarks or registered trademarks of Crestron Electronics, Inc. in the United States and/or other countries.
- VESA is either registered trademark or trademark of Video Electronics Standards Association in the United States and/or other countries.
- All other brand and product names are trademarks or registered trademarks of their respective holders.
- This product comes with RICOH Bitmap Fonts produced and sold by RICOH COMPANY, LTD.
- Language of OSD menu used in this manual is English by way of example.
- Illustrations in this manual may not exactly represent the actual product or display.
- This manual assumes use in landscape orientation, except where specifically noted.

## LED Backlight

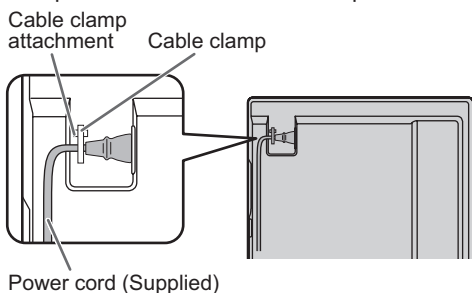
- The LED backlight in this product has a limited lifetime.
  - \* If the screen gets dark or does not turn on, it may be necessary to replace the LED backlight.
  - \* This LED backlight is exclusive to this product and must be replaced by an authorized SHARP servicing dealer or service center. Please contact an authorized SHARP servicing dealer or service center for assistance.

# MOUNTING PRECAUTIONS

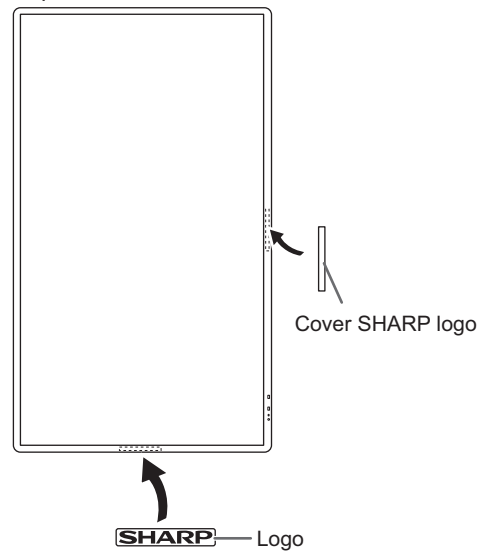
- This product is for use indoors.
- A mounting bracket compliant with VESA specifications is required.
- Since the monitor is heavy, consult your dealer before installing, removing or moving the monitor.
- Mounting the monitor on the wall requires special expertise and the work must be performed by an authorized SHARP dealer. You should never attempt to perform any of this work yourself. Our company will bear no responsibility for accidents or injuries caused by improper mounting or mishandling.
- Use the monitor with the surface perpendicular to a level surface. If necessary, the monitor may be tilted up to 20 degrees upward.
- When moving this monitor, be sure to hold it with the handles, the unit sides, the unit bottom or the unit top. Do not grasp the screen, unit corner, tray, speaker, or speaker cover. This may cause product damage, failure, or injury.
- This monitor should be used at an ambient temperature between 41°F (5°C) and 95°F (35°C).
- Be careful of high temperatures in the surrounding area. If it is difficult to provide sufficient space for any reason such as the installation of the monitor inside a housing, or if the ambient temperature may be outside of the range of 41°F (5°C) to 95°F (35°C), install a fan or take other measures to keep the ambient temperature within the required range.
- Temperature condition may change when using the monitor together with the optional equipments recommended by SHARP. In such cases, please check the temperature condition specified by the optional equipments.
- Do not block any ventilation openings. If the temperature inside the monitor rises, this could lead to a malfunction.
- Do not place the monitor on a device which generates heat.
- Adhere to the following when installing the monitor in its portrait orientation. Failing to adhere to the following may cause malfunctions.
  - Install the monitor such that the power LED is located on the bottom side.



- Set the PORTRAIT/LANDSCAPE INSTALL on the MONITOR menu to PORTRAIT. (See page 36.)
- Be sure to clamp the power cord (supplied) onto the cable clamp attachment using the supplied cable clamp. When clamping the power cord, take care not to stress the terminal of the power cord. Do not bend the power cord excessively.

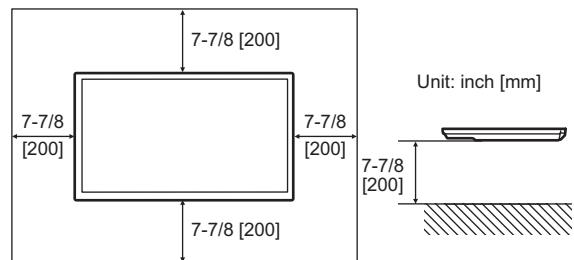


- Use the supplied vertical sticker when you install the monitor in portrait orientation.



## Flat installation

- This monitor should not be mounted flat or used as a touch table type installation. Please consult an authorized SHARP dealer before considering any type of flat installation (when the monitor is tilted more than 20 degrees upward from the perpendicular in relation to a level surface), and find out about the mandatory flat mounting instructions. Adhere to the following. Failing to adhere to the following may cause malfunctions.
  - Set HORIZONTAL INSTALLATION in the MONITOR menu to FACE UP. (See page 36.)
  - Use this monitor at the ambient temperature between 41°F (5°C) and 86°F (30°C). Provide 7-7/8 inch (200 mm) or more space between the monitor and the floor or other mounting surfaces and surrounding objects to prevent heat from accumulating inside. If it is difficult to provide sufficient space or if the ambient temperature may be outside of the range of 41°F (5°C) to 86°F (30°C), install a fan or take other measures to keep the ambient temperature within the required range.



- Do not press hard on the LCD panel or otherwise subject it to impacts.

# Contents

<b>IMPORTANT INFORMATION</b> .....	<b>3</b>	<b>Basic Operation</b> .....	<b>25</b>
<b>DEAR SHARP CUSTOMER</b> .....	<b>4</b>	Using the touch menu .....	25
<b>SAFETY PRECAUTIONS</b> .....	<b>4</b>	Using the remote control unit .....	26
<b>TIPS AND SAFETY INSTRUCTIONS</b> .....	<b>6</b>	<b>Menu Items</b> .....	<b>29</b>
<b>MOUNTING PRECAUTIONS</b> .....	<b>7</b>	Displaying the menu screen.....	29
<b>Supplied Components</b> .....	<b>9</b>	Configuring settings in the touch menu.....	30
<b>System Requirements</b> .....	<b>9</b>	Menu item details .....	31
<b>Part Names</b> .....	<b>10</b>	Adjustments for computer screen display .....	42
<b>Connecting Peripheral Equipment</b> .....	<b>12</b>	<b>Initialization (Reset)/Functional Restriction Setting</b> <b>(FUNCTION)</b> .....	<b>43</b>
<b>Connecting the Power Cord</b> .....	<b>14</b>	<b>Controlling the Monitor with a computer (RS-232C)</b> ...	<b>44</b>
<b>Binding Cables</b> .....	<b>14</b>	Computer connection .....	44
<b>Preparing the Remote Control Unit</b> .....	<b>15</b>	Communication conditions .....	44
Installing the batteries .....	15	Communication procedure .....	44
Remote control operation range.....	15	Setting of the GAMMA user data.....	46
<b>Removing the Handles</b> .....	<b>16</b>	RS-232C command table.....	47
<b>Mounting a web camera</b> .....	<b>16</b>	<b>Controlling the Monitor with a computer (LAN)</b> .....	<b>54</b>
<b>Turning Power On/Off</b> .....	<b>17</b>	Settings to connect to a LAN.....	54
Turning on the main power.....	17	Controlling with a computer.....	56
Turning power on .....	17	[Advanced operation]	
Turning power off .....	17	Command-based control.....	63
<b>Touch Panel / Touch Pen Preparations</b> .....	<b>19</b>	<b>Troubleshooting</b> .....	<b>64</b>
Connecting the touch pen adapter .....	19	<b>Specifications</b> .....	<b>66</b>
Touch Pen Preparations.....	19	<b>Mounting Precautions</b>	
Computer preparations .....	19	<b>(For SHARP dealers and service engineers)</b> .....	<b>71</b>
Touch pen actions .....	20		
Adding touch pens (pairing) .....	21		
<b>Touch action</b> .....	<b>22</b>		
Touch action .....	22		
Other functions.....	24		
Cautionary points .....	24		
Eraser.....	24		

For information on Touch pen Management Tool, Pen Software and Information Display Downloader, see the manual for each.



# Supplied Components

If any components are missing, please contact your dealer.

- Liquid Crystal Display Monitor: 1
- Remote control unit: 1
- Cable clamp (insertion type): 4



- Cable clamp: 3



- Power cord
- Remote control unit battery (LR03 ("AAA" size)): 2

- CD-ROM (Utility Disk): 1
- SHARP Display Connect License: 1
- Setup Manual: 1
- Touch pen (for capacitive touch panel) (PN-ZL06): 2
- Touch pen adapter (PN-ZL05): 1
- Pen tip for touch pen (for capacitive touch panel): 4
- Touch pen battery (LR03 ("AAA" size)): 2
- Tray: 1
- Speaker cover: 2
- USB cable: 1

- RS-232C conversion cable (3.5mm mini stereo jack): 1
  - Eraser (for capacitive touch panel): 1
  - Camera mount: 1
  - Camera screw (inch thread): 1
  - Speaker cover attachment screws (M3)/ Camera mount screws (M3): 6
  - Touch pen adapter screw (Step screw, M3): 1
  - Vertical sticker (Logo): 1
  - Cover SHARP logo: 1
- Place this sticker onto the SHARP logo to cover the logo.

\* SHARP Corporation holds authorship rights to the Utility Disk program. Do not reproduce it without permission.

\* For environmental protection!

Do not dispose of batteries in household waste. Follow the disposal instructions for your area.

# System Requirements

Hardware	Must have a USB 2.0 compliant port. CD-ROM drive required for software installation.
Operating system	Windows 7 (32-bit or 64-bit version), Windows 8.1 (32-bit or 64-bit version), Windows 10 (32-bit or 64-bit version)
	Mac OS X v10.11, macOS v10.12 (The touch panel and touch pen operate with the standard driver of operating system.)
	Google Chrome OS Version 39 or later (The touch panel and touch pen operate with the standard driver of operating system.)

Requirements when the software (Windows) supplied with this monitor is used.

CPU	Intel Core i5-6360U or faster Intel Core i7-6650U or faster recommended
Video Output	Must be capable of output at a Vsync of 60 Hz or higher
Memory	At least 4 GB
Free space on hard drive	At least 5 GB (free space separately required for data storage)

To use the touch panel, the touch panel and computer must be connected, and Touch pen Management Tool, and Pen Software must be installed on the computer from the supplied CD-ROM.

When the Information Display Downloader is installed, you can check and download the most recent versions of the software programs.

To install the software, see the manual for each.

The USB port varies depending on the terminal connected to the computer.

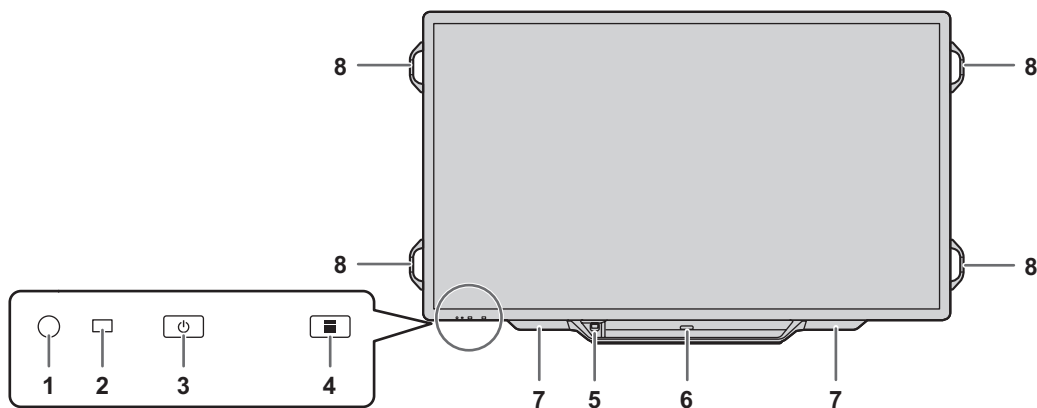
DisplayPort 1 input terminal/HDMI 1 input terminal	USB 1 port (for touch panel)
D-sub input terminal/DisplayPort 2 input terminal/HDMI 2 input terminal/HDMI 3 input terminal	USB 2 port (for touch panel)

(Factory setting. Can be changed in TOUCH INPUT SELECT in the SETUP menu.)

SHARP Display Connect setup program and Touch Viewing Software setup program can be downloaded using Information Display Downloader.

# Part Names

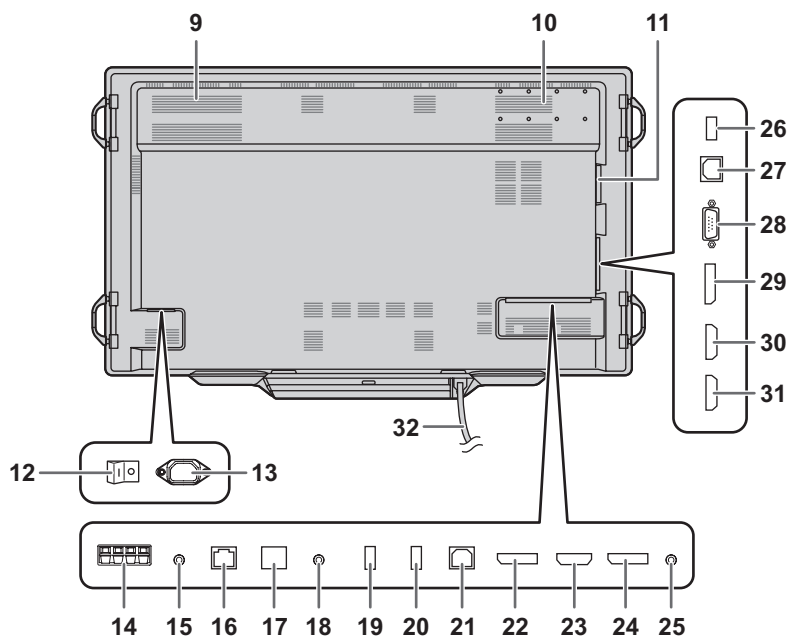
## ■ Front view



1. Remote control sensor (See page 15.)
2. Power LED (See page 17.)
3. POWER button (See page 17.)
4. TOUCH MENU button (See page 25.)

5. **USB port (for USB device) (USB 2.0 compliant)**  
To use, remove the seal and connect the USB cable on the back of the tray ("32") to the computer. (See page 13.)
6. Tray
7. Speakers
8. Handles

## ■ Rear view



9. Vents
10. **Optional attachment section**  
This section is used to connect optional hardware for function expansion. Offering this attachment location is not a guarantee that future compatible hardware attachments will be released.
11. **Expansion slot**  
This section is used to connect optional hardware for function expansion. Offering this attachment location is not a guarantee that future compatible hardware attachments will be released.
12. Main power switch (See page 17.)
13. AC input terminal (See page 14.)
14. External speaker terminals (See page 13.)
15. Audio output terminal (See page 13.)
16. LAN terminal (See page 13.)
17. **Optional terminal**  
This terminal is provided for possible future (optional) function expansion. Offering of this terminal is not a guarantee that future expanded functionality will be released.
18. RS-232C input terminal (See page 13.)
19. Touch pen adapter port (See page 19.)
20. USB port (See page 13.)
21. USB 1 port (for touch panel) (See page 13.)
22. DisplayPort output terminal (See page 13.)
23. HDMI 1 input terminal (See page 12.)
24. DisplayPort 1 input terminal (See page 12.)
25. Audio input terminal (See page 12.)
26. Terminal for firmware updating  
Normally not used.
27. USB 2 port (for touch panel) (See page 13.)
28. D-sub input terminal (See page 12.)
29. DisplayPort 2 input terminal (See page 12.)
30. HDMI 2 input terminal (See page 12.)
31. HDMI 3 input terminal (See page 12.)
32. USB cable (See page 13.)

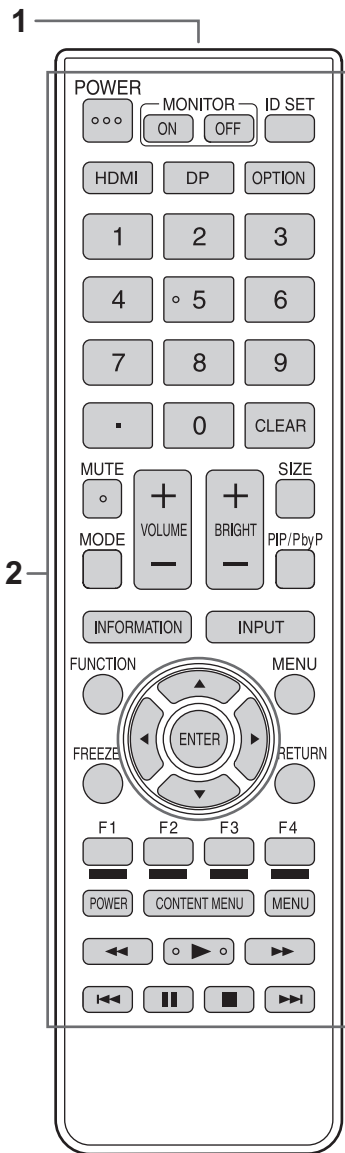
### TIPS

- It is convenient to use the terminals for separate purposes; for example, using the terminal on the bottom of the monitor to connect a fixed computer and using the terminal on the side of the monitor to connect a mobile computer.

### ! Caution

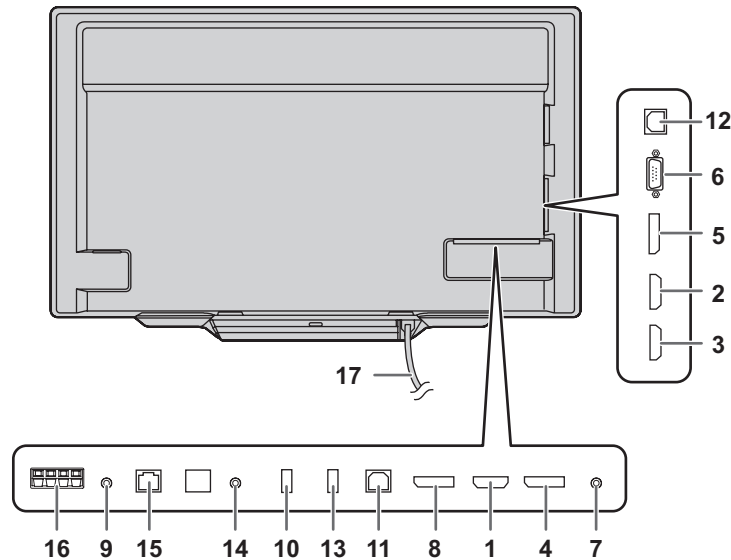
- Consult your SHARP dealer for attachment/detachment of optional parts.

■ Remote control unit



1. Signal transmitter
2. Operation buttons (See page 26.)

# Connecting Peripheral Equipment



## ! Caution

- Be sure to turn off the main power switch and disconnect the plug from the power outlet before connecting/disconnecting cables. Also, read the manual of the equipment to be connected.
- Be careful not to confuse the input terminal with the output terminal when connecting cables. Accidentally reversing cables connected to the input and output terminals may cause malfunctions and the other problems.
- Do not use any cable that has a damaged or deformed terminal. Using such cables may cause malfunctions.

## TIPS

- When using a touch panel, connect the USB cable to the computer. For details, see the Touch pen Management Tool Operation Manual.
- Images may not be displayed properly depending on the computer (video card) to be connected.
- Use the automatic screen adjustment when a computer screen is displayed for the first time using D-SUB or when the setting of the computer is changed. The screen is adjusted automatically when SELF ADJUST in the MONITOR menu is set to ON.
- If the audio output from the playback device is connected directly to speakers or other devices, the video on the monitor may appear delayed from the audio portion. Audio should be played through this monitor by connecting the playback device to the monitor's audio input, and connecting the monitor's audio output to the speakers or other devices.
- The audio input terminals used in each input mode are factory-set as follows.

Input mode	Audio input terminal (Factory setting)
HDMI1	HDMI 1 input terminal
HDMI2	HDMI 2 input terminal
HDMI3	HDMI 3 input terminal
DisplayPort1	DisplayPort 1 input terminal
DisplayPort2	DisplayPort 2 input terminal
D-SUB	Audio input terminal

It is convenient to use the terminals for separate purposes; For example, using the terminal on the bottom of the monitor to connect a fixed computer and using the terminal on the side of the monitor to connect a mobile computer.

### 1. HDMI 1 input terminal

### 2. HDMI 2 input terminal

### 3. HDMI 3 input terminal

- Use a commercially available HDMI cable (conforming to the HDMI standard) that supports 4K.
- Select the audio input terminal to be used in AUDIO SELECT of the SETUP menu. When HDMI is selected, it is not necessary to connect an audio cable to the audio input terminal.

### 4. DisplayPort 1 input terminal

### 5. DisplayPort 2 input terminal

- Use a commercially available DisplayPort cable (conforming to the DisplayPort standard) that supports 4K.
- Select the audio input terminal to be used in AUDIO SELECT of the SETUP menu. When DisplayPort is selected, it is not necessary to connect an audio cable to the audio input terminal.

### 6. D-sub input terminal

- Set D-SUB of INPUT SELECT on the SETUP menu according to the device to be connected.

### 7. Audio input terminal

- Use an audio cable without resistance.
- Set the audio input terminal to be used in each input mode in AUDIO SELECT on the SETUP menu.

### 8. DisplayPort output terminal

- The screen displayed on this monitor and the audio output from this monitor can be output to an external device.
- Use a commercially available DisplayPort cable (conforming to the DisplayPort standard) that supports 4K.
- Outputting HDCP-encrypted video requires an external device which supports HDCP.
- Output of video may not be possible with some versions of HDCP.

### 9. Audio output terminal

- The output sound varies depending on the input mode.
- The volume of the output sound can be fixed by setting AUDIO OUTPUT of AUDIO OPTION on the SETUP menu.
- It is not possible to control the sound output from the audio output terminals with the AUDIO menu.

### 10. Touch pen adapter port

- Connect the touch pen adapter in order to use the touch pen. (See page 19.)

### 11. USB 1 port (for touch panel)

- To use the touch panel with a computer connected to the terminal below, connect the touch panel to the computer with a USB cable.  
(Factory setting. Can be changed in TOUCH INPUT SELECT on the SETUP menu.)
  - DisplayPort 1 input terminal
  - HDMI 1 input terminal

### 12. USB 2 port (for touch panel)

- To use the touch panel with a computer connected to the terminal below, connect the touch panel to the computer with a USB cable.  
(Factory setting. Can be changed in TOUCH INPUT SELECT on the SETUP menu.)
  - D-sub input terminal
  - DisplayPort 2 input terminal
  - HDMI 2 input terminal
  - HDMI 3 input terminal

### 13. USB port

- Use to connect a device when using Pen Software multi-board mode (optional). To build a system, consult your dealer.

### 14. RS-232C input terminal

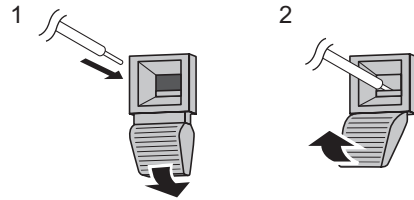
- The monitor can be connected to a computer using the RS-232C conversion cable (supplied) and a commercially available RS-232 straight cable to control the monitor from the computer.

### 15. LAN terminal

- You can control the monitor from a computer on a network by connecting a commercially available LAN cable between this terminal and a network.

### 16. External speaker terminals

- To use external speakers, set SPEAKER SELECT to EXTERNAL in AUDIO OPTION on the SETUP menu.
- Be sure to use external speakers with an impedance of 6 Ω or greater and a rated input of at least 10 W.



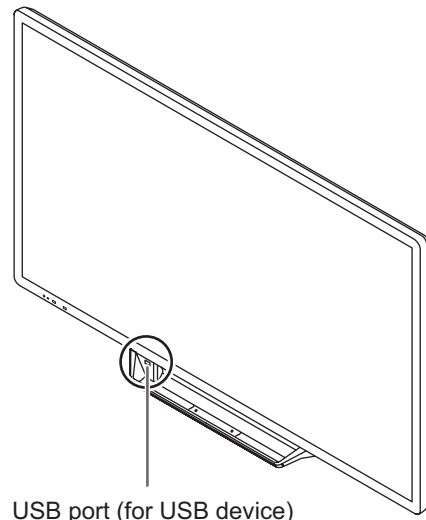
1. While pushing the tab, insert the tip of the cable.
2. Release the tab.

#### TIPS

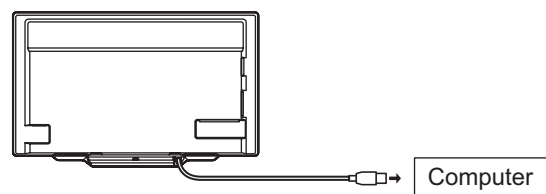
- Be sure to connect the + and - terminals and the left and right speakers properly.
- Avoid short circuiting the + and - terminals.
- When SPEAKER SELECT is set to EXTERNAL, the internal speakers are disabled.

### 17. USB cable

- To use the USB port (for USB device) (USB 2.0 compliant) on the front of the tray, connect the USB cable to the USB port on the computer.



USB port (for USB device)

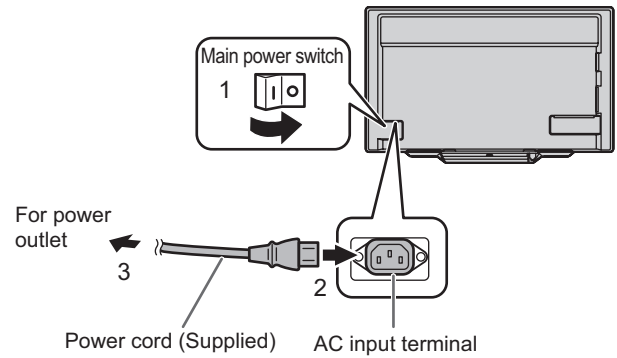


\* The touch panel must be connected separately.

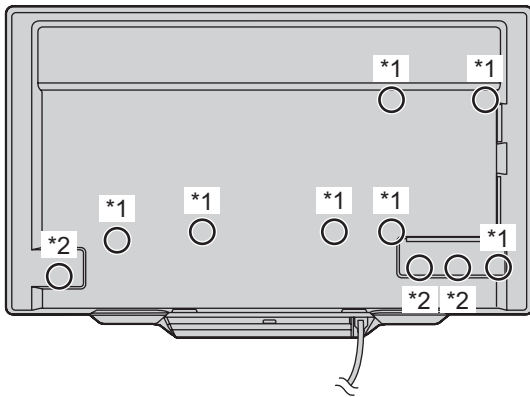
# Connecting the Power Cord

## ! Caution

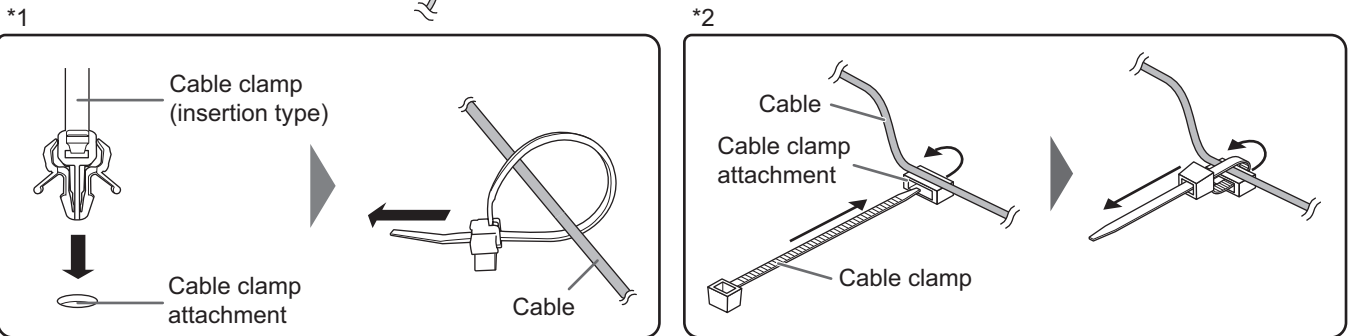
- Use only the power cord supplied with the monitor.
1. Turn off the main power switch.
  2. Plug the power cord (supplied) into the AC input terminal.
  3. Plug the power cord (supplied) into the power outlet.



# Binding Cables



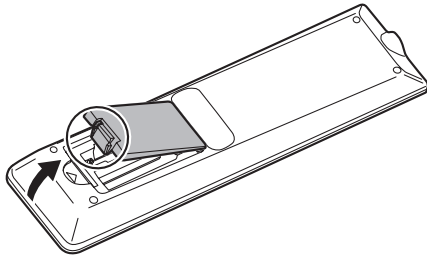
The cables connected to the terminals on the rear of the monitor and the USB cable on the back of the tray can be fastened with the cable clamp.



# Preparing the Remote Control Unit

## Installing the batteries

1. Place your finger on the part marked with the ▲, and then pull the cover off.



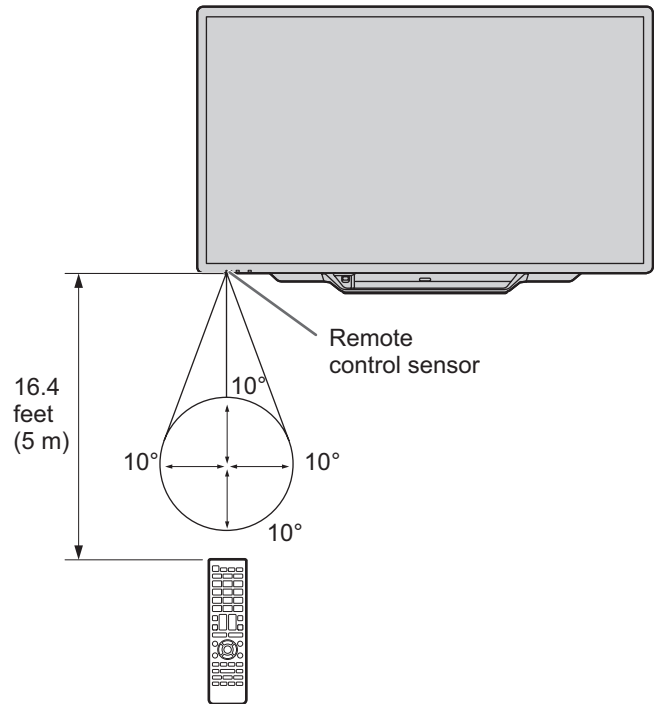
2. See the instructions in the compartment and put in the supplied batteries (LR03 ("AAA" size) x 2) with their plus (+) and minus (-) sides oriented correctly.
3. Close the cover.

### TIPS

- When the batteries become exhausted, replace them with new (commercially available) batteries.
- The supplied batteries may become exhausted quickly depending on how they are stored.
- If you will not be using the remote control for a long time, remove the batteries.
- Use manganese or alkaline batteries only.

## Remote control operation range

The operation range of the remote control unit is approx. 16.4 feet (5 m) at an angle of approx 10° from the center to the top/bottom/right/left of the remote control sensor.

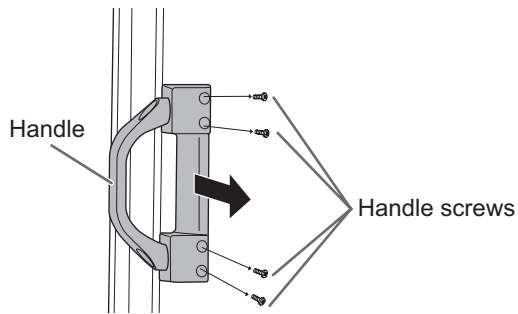


### TIPS

- Do not expose the remote control unit to shock by dropping or stepping on it. This could lead to a malfunction.
- Do not expose the remote control unit to liquids, and do not place it in an area with high humidity.
- The remote control unit may not work properly if the remote control sensor is under direct sunlight or strong lighting.
- Objects between the remote control unit and the remote control sensor may prevent proper operation.
- Replace the batteries when they run low as this may shorten the remote control's operation range.
- If a fluorescent light is illuminated near the remote control unit, it may interfere with proper operation.
- Do not use it with the remote control of other equipment such as air conditioner, stereo components, etc.

# Removing the Handles

The handles can be removed.

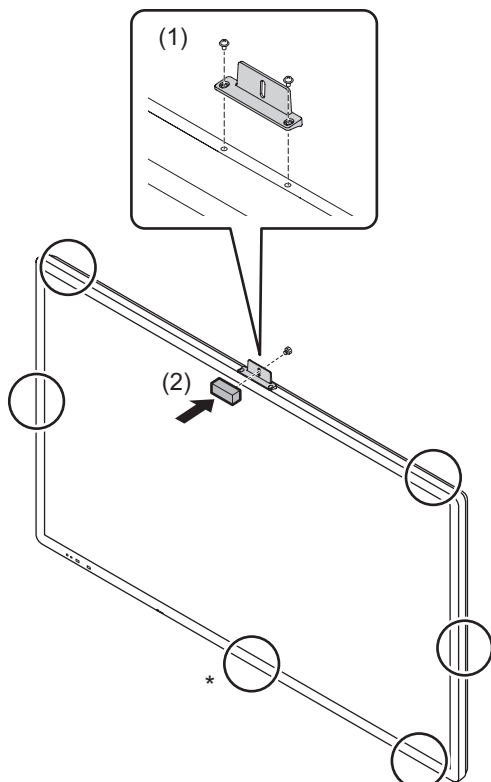


## ! Caution

- The removable handles and handle screws are for use with this monitor. Do not use them for any other devices.
- To attach handles, be sure to use the handles and handle screws which were removed from this monitor.
- Be sure the handles are attached securely.

# Mounting a web camera

It is possible to mount a commercially available web camera in the following positions:



- (1) Attach the supplied camera mount with the supplied camera mount screws (x2).
- (2) Attach the web camera (commercially available) to the camera mount with the supplied camera screw (inch thread) (x1).

\* The camera mount cannot be attached when the tray is attached. To attach the camera mount, remove the tray mount fitting. (See page 72.)

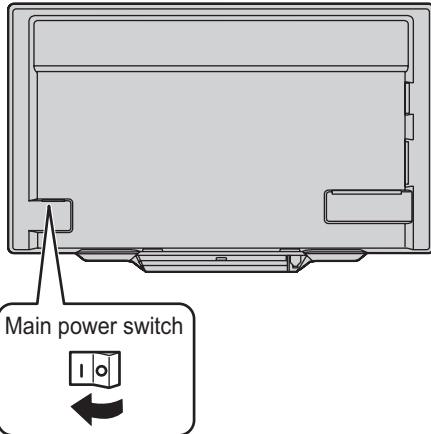


# Turning Power On/Off

## ! Caution

- Turn on the monitor first before turning on the computer or playback device.
- When switching the main power switch or the POWER button off and back on, always wait for at least 5 seconds. A short interval may result in a malfunction.

## Turning on the main power

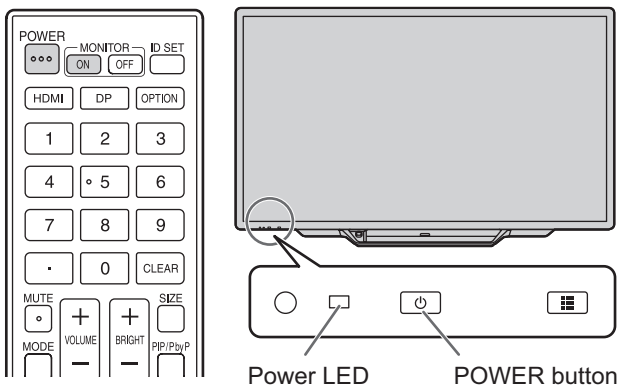


## ! Caution

- The main power must be turned on/off with the main power switch. Do not connect/disconnect the power cord or turn the breaker on/off while the main power switch is on.
- For a complete electrical disconnection, pull out the main plug.

## Turning power on

Press the POWER button or MONITOR ON button to turn the power ON.



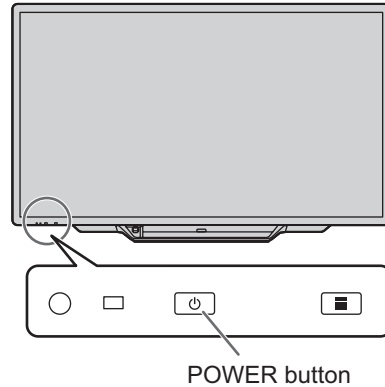
Status	Status of the monitor
Blue lit	Power on
Orange lit	Power off (Standby mode)
Blue flashing	Input signal waiting mode

## TIPS

- You can fix the input mode that appears after startup. Set START INPUT MODE on the SETUP menu.

## Turning power off

### Turning power off with monitor buttons

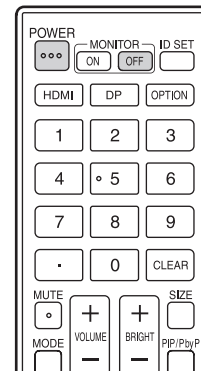


1. Touch the **POWER** button.  
The recognition screen appears.
2. Touch **[OK]**.  
The power is turned off. (Standby mode)

## TIPS

- If about 15 seconds elapses while the recognition screen appears, the power will automatically turn off.

### Turning power off with remote control unit



1. Press the **POWER** button or **MONITOR OFF** button.  
The power is turned off. (Standby mode)

## TIPS

- When the main power switch is off, the monitor cannot be turned on.
- If the monitor is in input signal waiting mode and you press the POWER button, the monitor enters standby mode.
- Setting the SCHEDULE flashes the power LED in orange in standby mode.
- To disable the logo screen from displaying when turning the power ON, set LOGO SCREEN to OFF on the OTHERS menu. (See page 38.)

## Turning Power On/Off

### ■ Operation mode

When the monitor is turned on for the first time after being shipped from the factory, the operation mode setting screen will be displayed. Set it to MODE1 or MODE2.

MODE1....OFF IF NO OPERATION is set to ON, and

POWER SAVE MODE is set to ON.

(These settings can not be changed.)

Determines whether or not to set the monitor to go into standby mode when there is no operation from the remote control unit, or LAN for over 4 hours.

Power consumption in standby mode is also minimized.

MODE2....Will perform standard operation.

OFF IF NO OPERATION is set to OFF, and

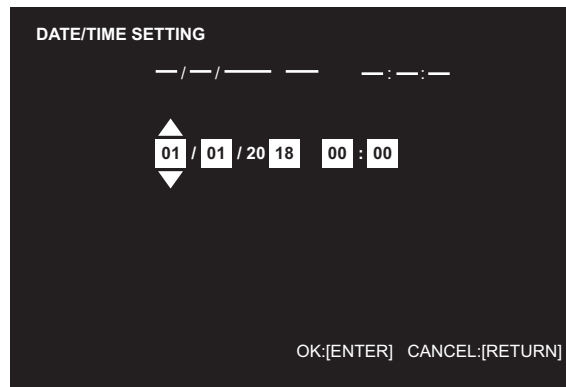
POWER SAVE MODE is set to OFF.

(These settings can be changed.)

Even after being set, changes can be made using OPERATION MODE, located in the menu of the monitor. (See page 36.)

### ■ Date/time setting

- If the time has yet to be set when the monitor is first turned on, the date/time setting screen appears. Set the date and time.



- (1) Press the ◀ or ▶ button to select the date and time, and press the ▲ or ▼ button to change the numerical values.
  - (2) Press the ENTER button.
- Be sure to set the date and time.
  - The date/time setting screen will close automatically if no operation is performed for about 15 seconds. The date and time can be set using DATE/TIME SETTING from the SETUP menu when the date/time setting screen disappears.

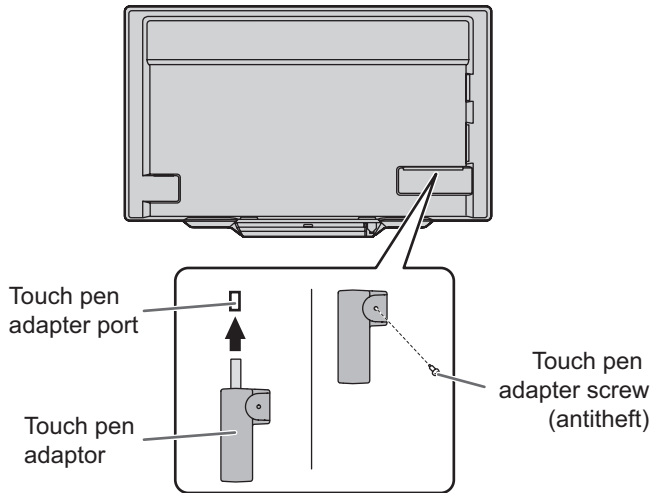
#### TIPS

- Set the date in “Day/Month/Year” order.
- Set the time on a 24-hour basis.
- The clock is maintained by the internal battery.
- If you already set the time but the date/time setting screen appears when the power is turned on, the internal battery may be exhausted. Please contact your local SHARP servicing dealer or service center for assistance with internal battery replacement.
- Estimated service life of the internal battery: About 5 years (depending on monitor operation)
- The initial battery was inserted at the factory when the monitor was shipped, so it may run out of power before its expected operation life.

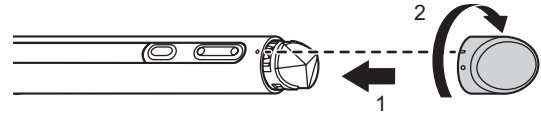
# Touch Panel / Touch Pen Preparations

## Connecting the touch pen adapter

To use the touch pen, insert the touch pen adapter into the touch pen adapter port on the monitor.



## 4. Replace the battery cap.



### TIPS

- Life of supplied battery is dependent on how it is stored.
- If the touch pen will not be used for an extended time, remove the battery from the touch pen.
- Use only alkaline battery for replacement.

## Computer preparations

To use the touch panel, the touch pen and the eraser, install the software below.

- Touch pen Management Tool
- Pen Software

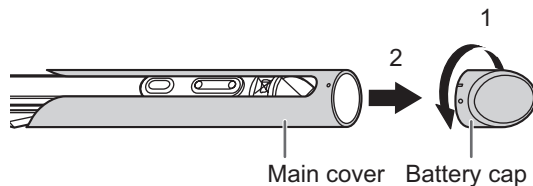
To install the software, see the manual for each.

## Touch Pen Preparations

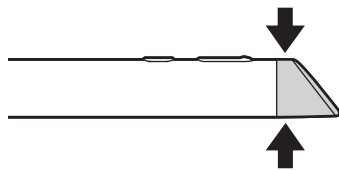
### ■ Inserting the battery

2 touch pens are supplied. Insert the batteries in the touch pens.

#### 1. Remove the battery cap and main cover.

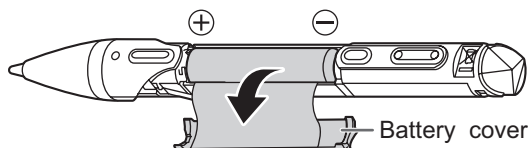


If the battery cap is difficult to turn, grasp the top and bottom of the battery cap to turn.



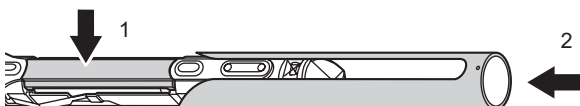
#### 2. Open the battery cover and insert the supplied battery (LR03 ("AAA" size) x 1) into the touch pen.

Check the plus (+) and minus (-) markings on the inside of the touch pen and insert the battery in the correct orientation.



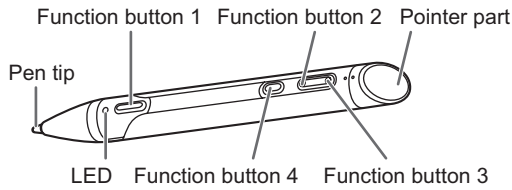
#### 3. Replace the battery cover and main cover.

While pressing the battery cover, replace the main cover.



## Touch pen actions

Only use touch pens that are used with this monitor (supplied touch pens or optional PN-ZL06).



- Function button 1 : Pen Software Link
- Function button 2 : PageDown
- Function button 3 : PageUp
- Function button 4 : Left click/Pointer (See the description on the right.)

You can change the functions that are assigned to the function buttons. For details, see the Touch pen Management Tool Operation Manual.

### TIPS

- In Mac and Chrome OS, function buttons below can be used.
  - Function button 2 : PageDown
  - Function button 3 : PageUp
  - Function button 4 : Left click

### Using as a digitizer pen

A touch pen can be used as a Windows digitizer pen. To use a touch pen as a digitizer pen, change the “Touch Operation Mode Setting” to “Pen digitizer Mode” in the Touch pen Management Tool. For details, see the Touch pen Management Tool Operation Manual.

### LED

Status	Status of the touch pen
Lights off	Standby mode
White flashing	Operation mode*
Orange flashing	Battery is low
Light blue flashing	Not connected to touch pen adapter

If the touch pen is not moved for an extended time, it automatically enters the standby mode and the LED turns off. (Factory setting. When the touch pen is moved, it automatically enters operation mode.)

\* You can change how the LED lights when the touch pen is in operation mode. For details, see the Touch pen Management Tool Operation Manual.

In the Pen Software, the LED lights in the set touch pen color. For details, see the Pen Software Operation Manual.

### Palm cancel mode function

When you write with the touch pen, you can set the touch panel to not respond when your hand touches the screen. (See page 36.)

## Pointer

You can use the touch pen as a pointer.

1. Point the pointer part of the touch pen toward the screen.
2. While pressing function button 4, move the touch pen.
  - The pointer icon appears on the screen, and moves as the touch pen is moved.
  - To stop the pointer, release the function button 4.

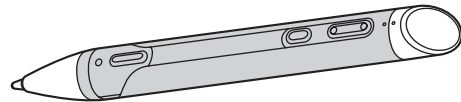
You can change the pointer icon settings while using the pointer function (while pressing function button 4).

- Function button 2 while pressing function button 4 : The shape of the pointer icon changes.
- Function button 3 while pressing function button 4 : The color of the pointer icon changes.

For details, see the Touch pen Management Tool Operation Manual.

### TIPS

- Hold the touch pen at the part indicated below. Incorrect operation may result if your finger is too close to the tip of the pen.



- Hold the touch pen with your bare hand. The screen will not respond if you wear a glove.
- If the LED blinks orange, the battery is low. Promptly replace with a battery (commercially available). If the LED does not illuminate, check if the battery is depleted.
- Use function buttons near the front of the screen. If too far away, operation will not be possible.
- Press function buttons slowly and firmly. If pressed too quickly, the action may not be recognized.
- The line may break if the touch pen battery is low or there is other wireless equipment in operation nearby.
- The touch pens cannot be used as touch pens and digitizer pens at the same time. When the setting is changed in the Touch pen Management Tool, all touch pens become digitizer pens. Multiple digitizer pens cannot be used at the same time.

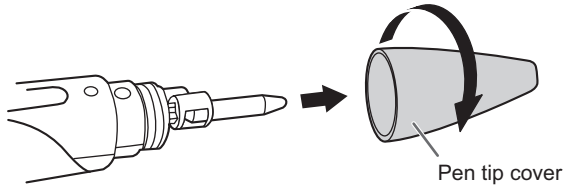
## Touch pen settings

Touch pen settings are configured using the Touch pen Management Tool. For details on the settings and how to use this software, see the Touch pen Management Tool Operation Manual.

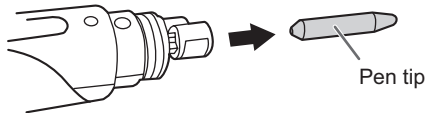
## ■ Replacing the pen tip

If the pen tip becomes worn or damaged, replace it.

### 1. Remove the pen tip cover.

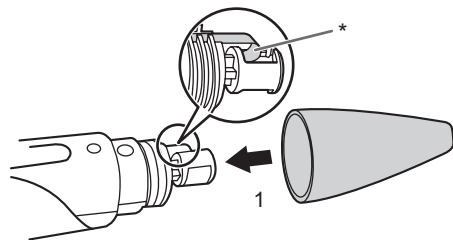


### 2. Remove the pen tip.



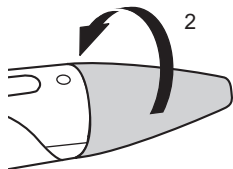
\* Do not touch any part other than the pen tip.

### 3. Attach the pen tip cover.

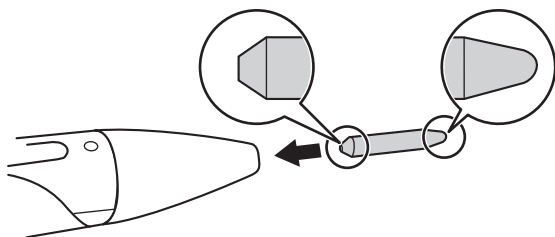


#### ! Caution

Be carefull that the pen tip cover does not catch on the metal tab (\*).



### 4. Insert the pen tip.



- \* Note which end of the pen tip you are inserting.
- \* Carefully insert the flat end of the pen tip.
- \* Firmly insert the pen tip all the way in.

## Adding touch pens (pairing)

- Up to 4 touch pens can be used simultaneously. (Up to 8 touch pens can be registered.)

Item	Model	Remarks
Touch pen	PN-ZL06	For capacitive touch panel

- To use an optional touch pen with the monitor, the touch pen must be registered in the touch pen adapter. (pairing)
- Use the Touch pen Management Tool to perform touch pen pairing. For details, see the Touch pen Management Tool Operation Manual.
- Perform touch pen pairing for one pen at a time.

#### TIPS

- When multiple touch pens are used, touch positions and touch pen information (color, thickness, etc.) may become interchanged, and lines may break.
  - When touched simultaneously.
  - When touch pens are moved near each other.
  - When batteries are low.
  - When other wireless equipment is operating nearby.
- Do not press the pen tip on other than the screen. This may cause malfunctioning.
- One touch pen cannot be registered in multiple touch pen adapters.

# Touch action

## Touch action

Touch actions that can be used with this monitor differ according to operating system and application. The functions of touch actions are also different. For details, check operating system Help and the application's support documentation.

Operating system	Windows 8.1 / 10	Windows 7	Chrome OS
Single-tap	Yes	Yes	Yes
Double-tap	Yes	Yes	Yes
Swipe	Yes	Yes	Yes
Swipe from edge of screen	Yes	No	Yes
Drag-and-drop	Yes	Yes	Yes
Flicks	Yes	Yes	Yes
Press-and-hold	Yes	Yes	Yes
Slide to pan	Yes	Yes	Yes
Zoom*	Yes	Yes	Yes
Press-and-tap*	No	Yes	Yes
Rotate*	Yes	Yes	Yes

\* Cannot be used when TOUCH OPERATION MODE is set to SINGLE-TOUCH MODE.

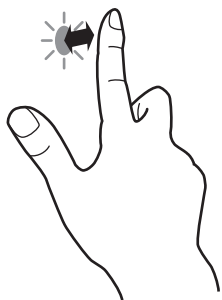
### TIPS

- On the Mac, the actions are the equivalent mouse actions.
- In Windows 7, if the checkmark has been removed from "Enable multi-touch gestures and inking" in "Pen and touch" in Control Panel, select the checkbox.
- For the procedures for using the touch pen in the Pen Software, see the Pen Software Operation Manual.

## Common finger and touch pen actions

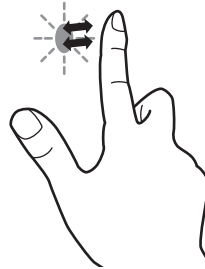
### Single-tap

Same action as left-clicking a mouse.  
Touch with your finger/touch pen.



### Double-tap

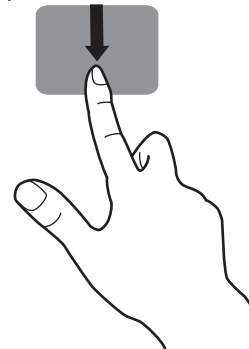
Same action as double-clicking a mouse.  
Quickly touch twice with your finger/touch pen.



When double-tapping with your finger, be sure to lift your finger sufficiently off the screen after the first tap. If there is insufficient distance between the screen and your finger, double-tap will not take place.

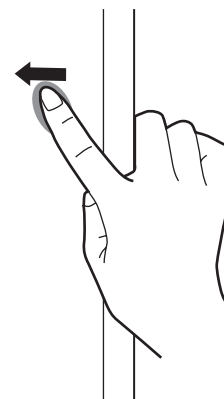
### Swipe

Touch the screen with your finger/touch pen, move without lifting, and then stop.



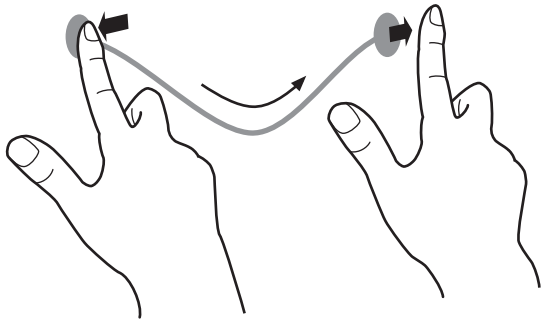
### Swipe from edge of screen

After touching the edge of the monitor with your finger/touch pen, move horizontally without releasing your finger/touch pen and then stop.



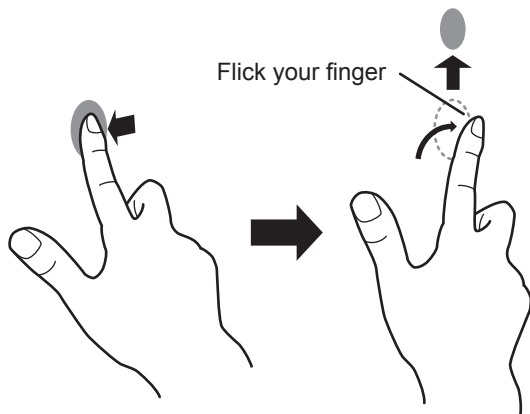
**Drag-and-drop**

Same action as drag-and-drop with a mouse. Touch the screen with your finger/touch pen and move without lifting. When you have finished the movement, lift your finger/touch pen.



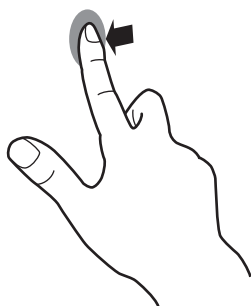
**Flicks**

Flick your finger/touch pen in the direction of the function you want to use.



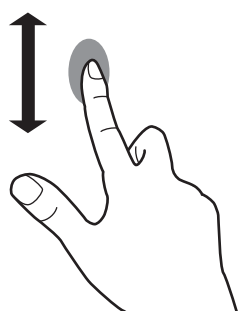
**Press-and-hold**

Same action as right-clicking a mouse. Press briefly with your finger/touch pen, and then lift your finger/touch pen from the screen.



**Slide to pan**

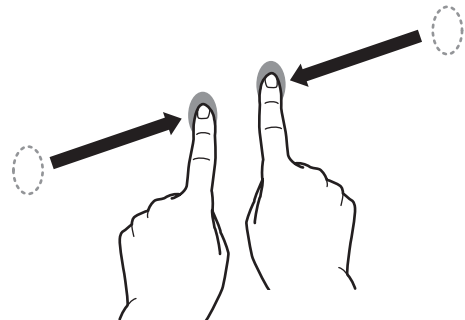
With your finger/touch pen touching the screen, move it up and down to scroll the screen.



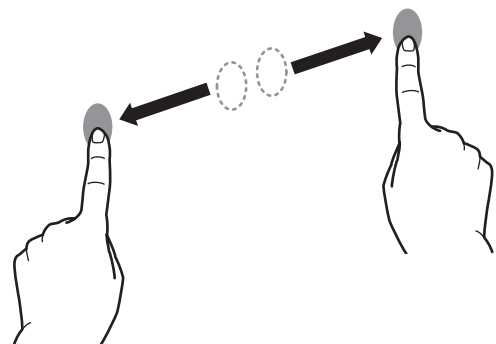
**■Finger actions**

**Zoom**

Use in a screen that is capable of enlargement/reduction. Touch the screen with two fingers and move your fingers closer together to reduce the view, or apart to enlarge the view.



Reduction

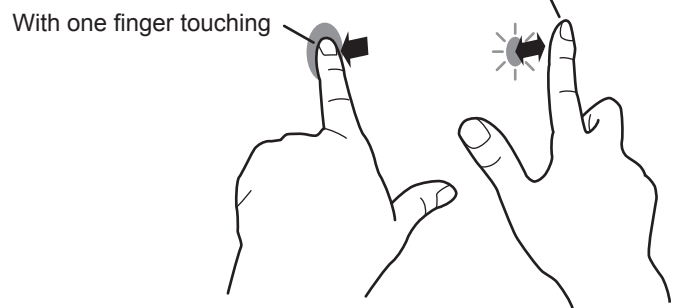


Enlargement

**Press-and-tap**

Same action as right-clicking a mouse. With one finger touching the screen, tap once (single tap) with another finger.

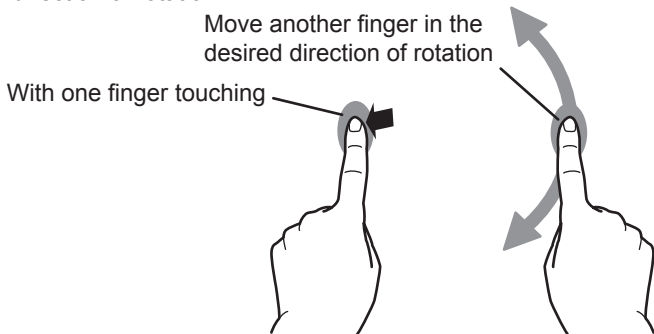
Tap once (single tap) with another finger



## Touch action

### Rotate

Use this action in a screen that is capable of image rotation. Touch the center point of the rotation with one finger. While holding that finger still, move another finger in the desired direction of rotation.



### TIPS

- The screen may not respond correctly in the following cases:
  - Touch gesture is too quick.
  - The distance between the two points is too short.
  - The two points intersect.

## Other functions

In Windows 8.1/10, input panel functions can be used. In Windows 7, touch pointer and input panel functions can be used.

For information on these functions, see Windows Help.

### Touch pointer :

A translucent image of a mouse appears near the point touched. The left/right buttons of the image can be clicked to perform the same actions as left/right clicking a mouse.

### Input panel :

A software keyboard and an input panel with handwriting recognition appear on the screen.

Windows 8.1/10 and Windows 7 (excluding Starter), the ink function of Microsoft Office can be used. Handwritten comments can be written, and handwriting can be recognized.

For details, see Microsoft Office Help.

## Cautionary points

- Note the following when touching by finger:
  - Do not touch with a wet finger.
  - Touch with the ball of your finger.
  - Touch with your bare finger.
    - The screen will not respond if you are wearing a glove.
- Do not use the touch pen for any purpose other than touch panel operation.
- Do not press hard on the pen tip.
- This may not operate correctly if there is an inverter fluorescent light nearby.
- Do not store with the pen tip of the touch pen or function button pressed. The battery will be exhausted.
- If there is dirt or foreign matter on the tip of the touch pen, remove it. Foreign matter may damage the screen.
- The touch pen position may occasionally deviate in the login screen. In this case, use the keyboard or mouse.
- If the USB cable becomes disconnected, the touch panel may not operate correctly after the USB cable is reconnected. In this case, restart the computer.

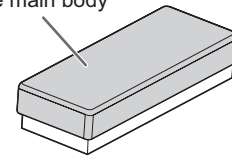
## Eraser

Only use an eraser that is supplied with this monitor. The eraser is used with the Pen Software. For the procedure for using the eraser, refer to the Pen Software Operation Manual.

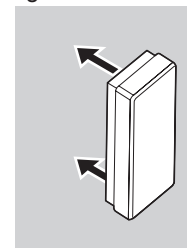
### ! Caution

- Hold the main body of the eraser with your bare fingers. The screen will not respond if you are wearing a glove.

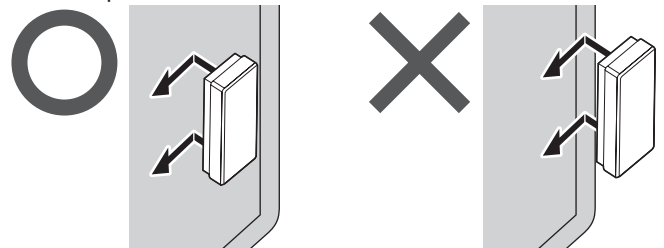
The main body



- Slowly place the large face of the eraser fully on the screen. Insufficient contact may prevent the eraser from being recognized. Touching the screen with one of the non-cloth sides will damage the screen.



- If there is any dirt or foreign matter on the surface that contacts the screen, remove it. Foreign matter may damage the screen.
- Place the eraser on the screen inside the display area. If the eraser first touches the frame (outside the display area) and then is moved inside the display area, the screen will not respond.



- When the "Touch Operation Mode Setting" of the Touch pen Management Tool is "Pen digitizer Mode":
  - Even if you use the eraser in the Pen Software, the eraser will be the standard size eraser.
  - The eraser can be used in the software below.
    - Microsoft Office 2007/2010/2013/2016

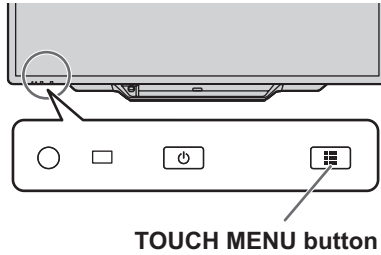


# Basic Operation

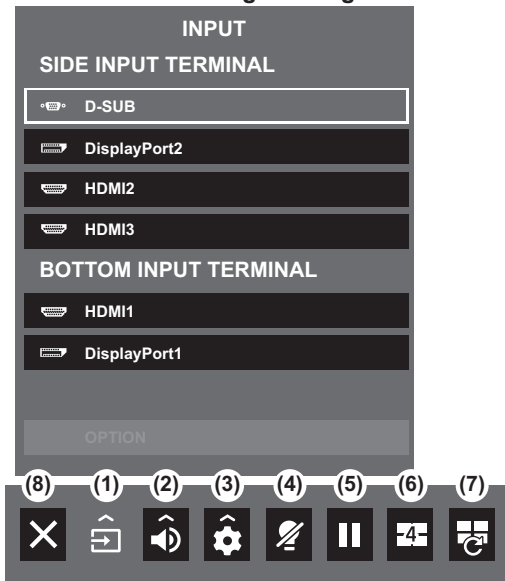
## Using the touch menu

You can touch the screen to change input mode, volume, and other settings.

### 1. Touch the TOUCH MENU button.



### 2. Touch the screen to change settings.



### (1) Input mode selection

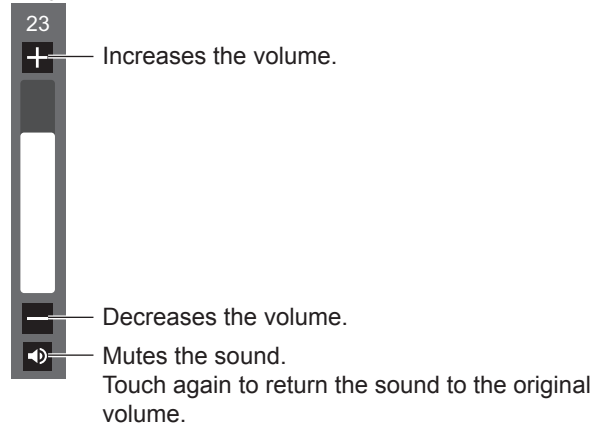
Changes the input mode.

Input mode	Video	Audio
DisplayPort1	DisplayPort 1 input terminal	*2
DisplayPort2	DisplayPort 2 input terminal	
HDMI1	HDMI1 input terminal	
HDMI2	HDMI2 input terminal	
HDMI3	HDMI3 input terminal	
D-SUB[RGB]	D-sub input terminal	Audio input terminal
D-SUB[COMPONENT]		
OPTION*1	Expansion slot	*2

- When the input mode is changed, the touch panel connection also changes. You can set whether the side or bottom USB port is used in each input mode. (See page 35.)
- \*1 This is displayed when you have used the expansion slot to expand the functions.
- \*2 Select the terminal for AUDIO SELECT which is used for audio input. (See page 34.)

### (2) Volume adjustment

Adjusts the volume.



### (3) Settings

Adjust video and configure settings for quad-screen, touch operation, and other items. (See page 30.)

### (4) Backlight off

Turn off the backlight. When off, the backlight turns on when you press any button on the monitor or remote control unit.

### (5) FREEZE

Freezes the video shown on the monitor. To cancel, press any button other than the POWER button, MUTE button or VOLUME button. Freeze is also canceled when the input signal changes (switching to no signal, changing the resolution, etc.). In some cases a residual image may occur. Do not freeze the video for a long time.

### (6) QUAD-SCREEN ON

You can display 4 screens at once. (See page 39.) When quad-screen is displayed, the icon changes to the QUAD-SCREEN OFF icon (1).

### (7) RECONFIGURE QUAD-SCREEN

The 4 screens set in SETTING INITIAL SCREEN (see page 37) are displayed.

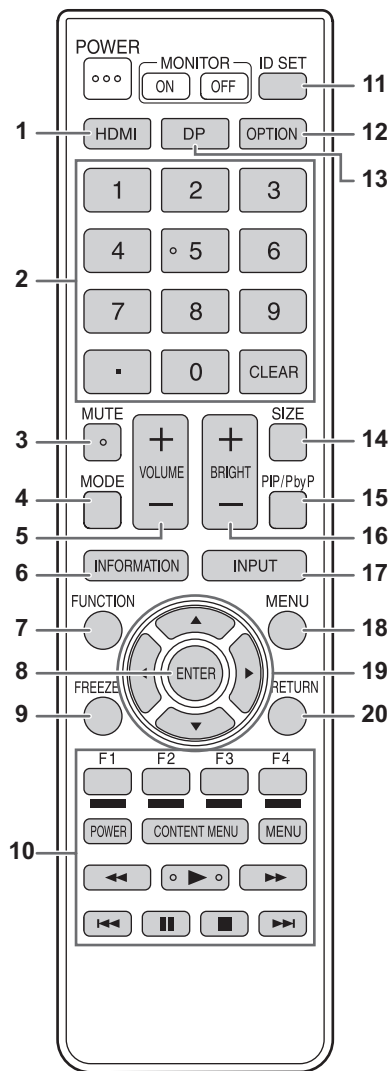
### (8) Exit touch menu

Closes the touch menu.

#### TIPS

- The touch menu can also be used with the remote control unit.
  - Hold down the INFORMATION button at least 5 seconds. The touch menu appears.
  - Select the setting item with the ◀ or ▶ button.
  - Set with the ▲ or ▼ button, and press the ENTER button.
    - The setting is entered.
    - Press the RETURN button to exit the touch menu.

## Using the remote control unit



### 1. HDMI

Switch the input mode to HDMI1, HDMI2 or HDMI3.

### 2. Numeric input buttons

Use for the following tasks. (0 to 9)

- To set the remote control number.
- To set the IP ADDRESS, SUBNET MASK, and DEFAULT GATEWAY.

### 3. MUTE

Turns off the volume temporarily.

Press the MUTE button again to turn the sound back to the previous level.

### 4. MODE (Color mode selection)

Each time you press this button, the color mode changes in the following order:

STD (Standard) → VIVID → sRGB →  
HIGH ILLUMINANCE → STD...

- HIGH ILLUMINANCE is a display with colors suited to bright locations.
- sRGB cannot be used when input mode is D-SUB[COMPONENT]. sRGB is international standard of color representation specified by IEC (International Electrotechnical Commission). Color conversion is made in taking account of liquid crystal's characteristics and represents color tone close to its original image.

### 5. VOLUME +/- (Volume adjustment)

Pressing + or - displays the VOLUME menu.



Press + or - to adjust the volume.

- \* If you do not press any buttons for about 4 seconds, the VOLUME menu automatically disappears.

## 6. INFORMATION

Displays monitor information.

```

INFORMATION1          01/01/2018 MON 00:00:00
INPUT MODE           : HDMI1
SIZE                 : WIDE
COLOR MODE           : STD
BRIGHT               : 31
VOLUME               : 15
REMOTE No.           : 0
MODEL                : PN-80TH5
VERSION              : x.x.xx.x
S/N                  : xxxxxxxx
STATUS                : 0000-000000-00-0000
TOUCH PANEL          : OK

[LAN]                NEXT:[>]  END:[RETURN]
3840 x 2160  V: 30 Hz  H: 67.5 kHz

```

```

INFORMATION2          01/01/2018 MON 00:00:00
RS-232C/LAN SELECT  : LAN
DHCP CLIENT          : OFF
IP ADDRESS            : 192.168.150. 2
SUBNET MASK           : 255.255.255. 0
DEFAULT GATEWAY       : 0. 0. 0. 0
MONITOR NAME          : PN-80TH5
DATA PORT             : 10008
MAC ADDRESS           : XX-XX-XX-XX-XX-XX

[LAN]                NEXT:[>]  END:[RETURN]
3840 x 2160  V: 30 Hz  H: 67.5 kHz

```

The display changes from INFORMATION1 → INFORMATION2 → INFORMATION3 → clear display, and so on every time you press this button.

When displaying INFORMATION, the display changes from INFORMATION1 → INFORMATION2 → INFORMATION3 → INFORMATION1, and so on every time you press the ► button. Pressing the RETURN button disappears the display.

- INFORMATION3 shows the information when you have used the expansion slot to expand the functions.
- The display disappears automatically after about 15 seconds.
- [LAN] is displayed during LAN communication.
- If [LAN] is displayed in red, there is a duplicate IP address.

## 7. FUNCTION

Use this to display the FUNCTION menu. (See page 43.)

## 8. ENTER

Confirms the setting.

## 9. FREEZE

Freezes the video shown on the monitor.

To cancel, press any button other than the POWER button, MUTE button or VOLUME button.

Freeze is also canceled when the input signal changes (switching to no signal, changing the resolution, etc.).

In some cases a residual image may occur. Do not freeze the video for a long time.

## 10. Buttons for operating the HDMI-connected device

When HDMI CEC LINK is set to AUTO, use these buttons to operate the device connected through the HDMI interface.

## 11. ID SET

Set a number on the remote control unit. (See page 41.)

## 12. OPTION

Switch the input mode to OPTION when you have used the expansion slot to expand the functions.

## 13. DP (DisplayPort)

Switch the input mode to DisplayPort1 or DisplayPort2.

## 14. SIZE (Screen size selection)

The menu is displayed.

Press the ▲ or ▼ button to select the screen size. (See page 28.)

## 15. PIP/PbyP

The menu is displayed.

Press the ▲ or ▼ button to select PIP MODES/ QUAD-SCREEN MODE. (See page 39.)

## 16. BRIGHT +/- (Brightness adjustment)

Pressing + or - displays the BRIGHT menu.



Press + or - to adjust the brightness.

- \* If you do not press any buttons for about 4 seconds, the BRIGHT menu automatically disappears.

## 17. INPUT (Input mode selection)

The menu is displayed.

Press the ▲ or ▼ button to select the input mode, and press the ENTER button to enter.

- \* For the input modes that can be selected, see “Using the touch menu” (see page 25).

## 18. MENU

Displays and turns off the menu screen. (See page 29.)

## 19. Cursor

These buttons are used to perform operations such as selecting items, changing adjustment values, and moving the cursor.

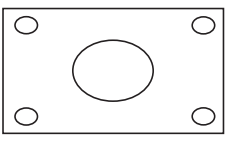
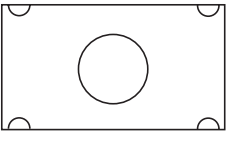
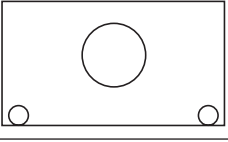
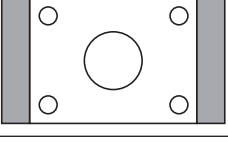
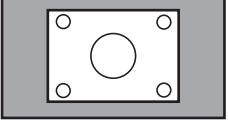
## 20. RETURN

Returns to the previous screen.

## Basic Operation

### ■Switching the screen size

Even when the screen size is changed, the display may remain the same depending on the input signal.

<b>WIDE</b>		Displays image so it fills the entire screen.
<b>ZOOM 1</b>		The image is enlarged to fill the entire screen without changing the aspect ratio. The edges of the image may be cut off.
<b>ZOOM 2</b>		Use this size if ZOOM 1 cuts off the subtitles.
<b>NORMAL</b>		Displays the image so it fills the screen without changing the aspect ratio.
<b>Dot by Dot</b>		Displays the dots of the input signals as the corresponding dots on the screen.

#### TIPS

- Using this monitor's screen-size switching function to compress or expand the screen for commercial or public viewing in establishments like cafes or hotels may infringe on the rights of the creators, as protected by Copyright Law, so please be careful.
- When dual-screen or quad-screen display is selected, the screen size cannot be changed.
- The appearance of the original video may change if you select a screen size with a different aspect ratio than the original image (e.g. TV broadcast or video input from external equipment).
- When 4:3 video is viewed with the whole screen using the screen-size switching function of this monitor, the edge of the video may be lost or appear distorted. If you wish to respect the creator's intentions, set the screen size to NORMAL.
- When playing commercial software, parts of the image (like subtitles) may be cropped. In this case select the optimal screen size using the screen-size switching function of this monitor. With some software, there may be noise or distortion at the edges of the screen. This is due to the characteristics of the software, and is not a malfunction.
- Depending on the original video size, black bands may remain at the edges of the screen.

# Menu Items

## Displaying the menu screen

Video and audio adjustment and settings of various functions are enabled. This section describes how to use the menu items. See page 31 for details of each menu items.

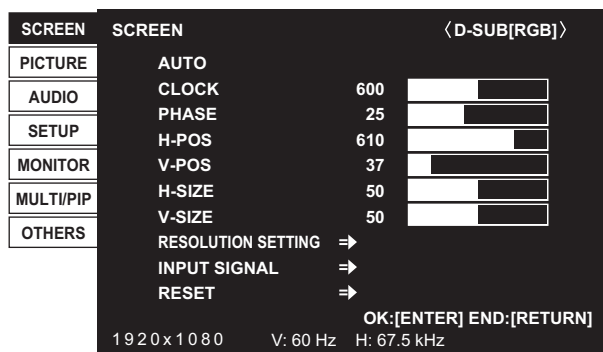
### ! Caution

- Do not turn the main power switch off while the menu items are being displayed. Doing so may initialize the settings.

## Example of operation

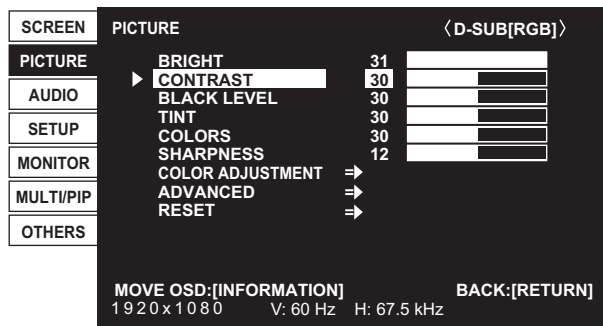
(Adjusting CONTRAST in the PICTURE menu)

- Press the MENU button to display the menu screen.

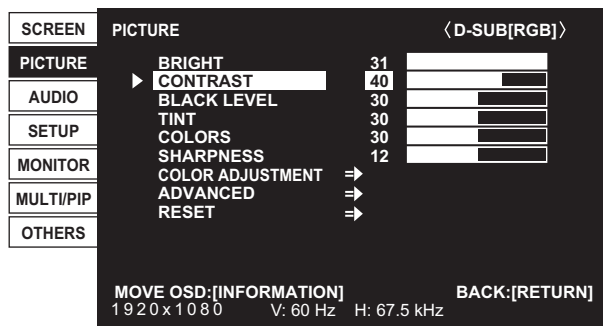


- Press the ▲ or ▼ button to select PICTURE, and press the ENTER button.

- Press the ▲ or ▼ button to select CONTRAST.



- Press the ◀ or ▶ button to adjust the setting.



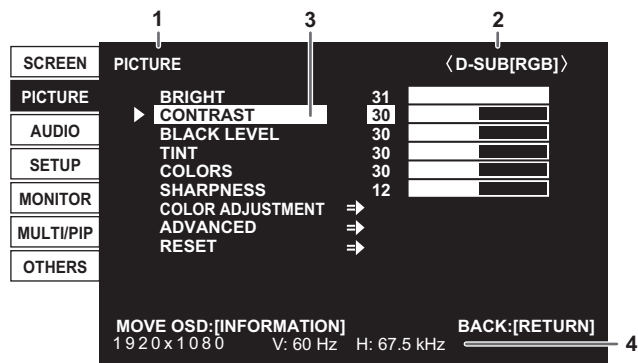
For items that have →, press the ENTER button, make settings and then press the RETURN button.

- Press the MENU button to close the menu screen.

### TIPS

- The menu will differ depending on the input mode.
- The menu screen will close automatically if no operation is performed for about 15 seconds. (DATE/TIME SETTING, SCHEDULE and LAN SETUP screens will close in about 4 minutes.)

## Menu screen display



- Name of the menu
- Input mode
- An item being selected (highlighted)
- Screen resolution of input signal, and other data.

### TIPS

- Items that cannot be selected appear in gray. (e.g. Function not supported by the current input signal)

## Configuring settings in the touch menu

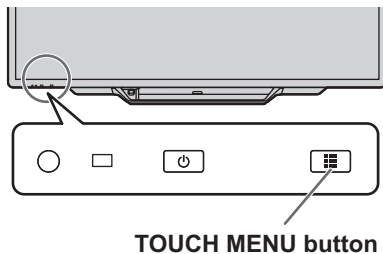
You can configure the following settings from the touch menu. You can configure the settings by touch operation.

PICTURE	BRIGHT	page 32
	CONTRAST	
	BLACK LEVEL	
	COLOR MODE	
CONFIGURE QUAD-SCREEN	SETTING INITIAL SCREEN	page 37
	PRIORITY: AUTO INPUT SEL.	
	SAVE LAST INPUT CONFIG.	
	TARGET: SOUND / INPUT SEL.	
OTHERS	PORTRAIT/ LANDSCAPE INSTALL	page 36
	LANGUAGE	page 34
	TOUCH INPUT SELECT	page 35
	TOUCH OUTPUT INVALID DISP.	page 36
	TOUCH OPERATION MODE	
	PALM CANCEL MODE	
	TOUCH PANEL MODE	
	TOUCH OPERATION	See right

### Example of operation

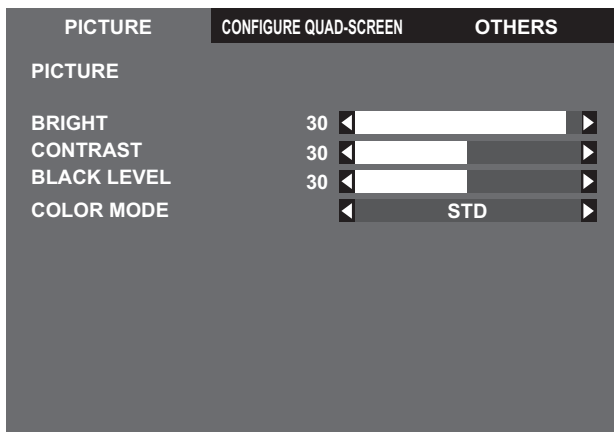
(Adjusting CONTRAST in the PICTURE menu)

1. Touch the TOUCH MENU button.



2. Touch the Settings icon (⚙️).

3. Touch the PICTURE tab.



4. Touch the ◀▶ icon in CONTRAST to adjust the setting. For items that show the >> icon, configure the setting in the menu that appears after you touch the >> icon, and then touch the BACK icon.

5. Touch the Exit touch menu icon (✕).

### TOUCH OPERATION

Use this setting to enable or disable touch action.

#### TIPS

- When the input mode is changed, the disable touch action setting is canceled.
- When TOUCH OUTPUT INVALID ICON is set to ON and touch action is disabled, the TOUCH OUTPUT INVALID icon appears in the screen.



- You can touch the TOUCH OUTPUT INVALID icon in the screen to enable touch action.
- The position of the TOUCH OUTPUT INVALID icon can be changed. (See page 36.)
- The TOUCH OUTPUT INVALID icon appears even when a USB cable is not connected.
- In quad-screen display or when a color pattern is displayed, the TOUCH OUTPUT INVALID icon does not appear.

## Menu item details

The menu will differ depending on the input mode.

### ■SCREEN

You can move the menu screen display position each time the INFORMATION button is pressed.

#### **AUTO (D-SUB[RGB])**

The CLOCK, PHASE, H-POS, and V-POS are automatically adjusted.

Pressing the ENTER button performs adjustment. Use this automatic adjustment when you use the D-SUB[RGB] to display a computer screen for the first time or when you change the setting of the computer. (See page 42.)

#### **CLOCK (D-SUB[RGB])**

Adjusts frequency for sampling clock for applicable video.

Adjust when there is flickering in the form of vertical stripes.

When using the adjustment pattern (see page 42), make adjustments so that no vertical stripe noise appears in it.

#### **PHASE (D-SUB[RGB])**

Adjusts sampling clock phase for applicable video. Useful when small characters appear with low contrast and/or there are flickers at corners. When using the adjustment pattern (see page 42), make adjustments so that no horizontal stripe noise appears in it.

#### **H-POS**

Adjust the horizontal position of the image.

#### **V-POS**

Adjust the vertical position of the image.

#### **H-SIZE**

Adjust the horizontal size of the image.

#### **V-SIZE**

Adjust the vertical size of the image.

#### **RESOLUTION SETTING (D-SUB[RGB])**

##### **H-RESOLUTION**

Sets proper horizontal resolution when the resolution of input signals is not recognized properly.

(Adjustment may be impossible with some signals.)

##### **V-RESOLUTION**

Sets proper vertical resolution when the resolution of input signals is not recognized properly.

(Adjustment may be impossible with some signals.)

#### **INPUT SIGNAL (D-SUB[RGB])**

If the resolution of the computer is one of the following, make a selection from the following options.

480 LINES ..... AUTO, 640x480 or 848x480

768 LINES ..... AUTO, 1024x768, 1280x768 or 1360x768

1050 LINES ..... 1400x1050 or 1680x1050

ZOOM2 SPECIAL SETTING (See page 40.)

#### **RESET**

Resets the values of the SCREEN menu items to the factory default settings.

Select ON and then press the ENTER button.

### ■ PICTURE

You can move the menu screen display position each time the INFORMATION button is pressed.

#### **BRIGHT**

Adjusts the backlight brightness. (In PIP mode, the main side setting is reflected in the image.)

#### **CONTRAST**

Adjusts the difference between the bright and dark portions of the image.

#### **BLACK LEVEL**

Adjusts the entire brightness of the video signals.

#### **TINT**

Adjusts the hue. Selecting + changes the color towards green, and selecting - changes it towards magenta.

#### **COLORS**

Adjusts the color intensity.

#### **SHARPNESS**

Adjusts the sharpness of the image.

#### **COLOR ADJUSTMENT**

##### **COLOR MODE**

Changes the color mode on the screen. The color mode on the screen can also be changed using a remote control unit. (See page 26 for details.)

\* sRGB cannot be used when input mode is D-SUB[COMPONENT].

##### **WHITE BALANCE**

THRU ..... Displays the input signal level as is.

PRESET ..... Selects the color temperature using PRESET.

USER ..... Adjusts R-/G-/B-CONTRAST and R-/G-/B-OFFSET respectively using USER.

##### **PRESET**

Selects the color temperature when the WHITE BALANCE is set to PRESET.

The setting values are shown for reference. The color temperature of the screen varies over time. This function is not intended to keep the color temperature constant.

##### **USER**

Adjusts each item when the WHITE BALANCE is set to USER.

R-CONTRAST.... Adjusts bright-toned red component.

G-CONTRAST ... Adjusts bright-toned green component.

B-CONTRAST .... Adjusts bright-toned blue component.

R-OFFSET ..... Adjusts dark-toned red component.

G-OFFSET ..... Adjusts dark-toned green component.

B-OFFSET ..... Adjusts dark-toned blue component.

##### **COPY TO USER**

Copies the value of PRESET to the USER setting.

Select ON and then press the ENTER button.

(In the case other than white, color tone may differ from the PRESET.)

##### **GAMMA**

Selects the gamma. USER sets the gamma to the sent value. (See page 46.)

##### **FLESH TONE**

Adjust the hue control.

##### **C.M.S.-HUE**

Adjusts color tone with 6 colors of R (red), Y (yellow), G (green), C (cyan), B (blue), and M (magenta).

##### **C.M.S.-SATURATION**

Adjusts color vividness with 6 colors of R (red), Y (yellow), G (green), C (cyan), B (blue), and M (magenta).



**ADVANCED****AUTO (D-SUB[RGB])**

The ANALOG GAIN and ANALOG OFFSET are automatically adjusted.  
Pressing the ENTER button performs adjustment.

**ANALOG GAIN (D-SUB[RGB])**

Adjusts the bright portions of the video input signal.

**ANALOG OFFSET (D-SUB[RGB])**

Adjusts the dark portions of the video input signal.

**NR**

Reduce the image noise.  
Setting a higher level reduces more noise. However, it may cause blurring on an image.

**RGB INPUT RANGE (HDMI/D-SUB[RGB]/DisplayPort/OPTION)**

Sets the RGB input signal range.  
When using HDMI, DisplayPort or OPTION set to AUTO, the RGB input signal range is detected automatically. Use AUTO normally.  
If the RGB input signal range cannot be set appropriately even when using AUTO, set according to the image. When the setting is different, images will be displayed with washed out blacks and compressed gradients.

**DISPLAY COLOR PATTERN**

Displays a color pattern. Can be displayed while the menu screen is displayed, so you can refer to the pattern while adjusting the image. When WHITE, RED, GREEN, or BLUE is displayed, you can set the level in the range of 0 to 255.  
OFF .....No pattern display.  
WHITE.....White single color pattern display.  
RED.....Red single color pattern display.  
GREEN .....Green single color pattern display.  
BLUE.....Blue single color pattern display.  
USER .....Red/green/blue mixed color pattern display. When USER is selected, set each color's level.

**RESET**

Resets the values of the PICTURE menu items to the factory default settings.  
Select ON and then press the ENTER button.

**■AUDIO****TREBLE**

Adjusts the volume of treble-level sound.

**BASS**

Adjusts the volume of bass-level sound.

**BALANCE**

Adjusts the balance of the audio sound between right and left.

**RESET**

Resets the values of the AUDIO menu items to the factory default settings.  
Select ON and then press the ENTER button.

## Menu Items

### ■SETUP

#### DATE/TIME SETTING

Set the date and time. Press the ◀ or ▶ button to select the date and time, and press the ▲ or ▼ button to change the numerical values.

Set the date in “Day/Month/Year” order.

Set the time on a 24-hour basis. (Factory default)

#### DATE/TIME FORMAT

Sets the date/time display format.

DATE .....MM/DD/YYYY, DD/MM/YYYY, YYYY/MM/DD  
(YYYY: Year, MM: Month, DD: Day)

TIME .....Select 12- or 24-hour time.

#### SCHEDULE (See page 40.)

You can turn the power on/off and change the screen brightness at a specified time.

#### LANGUAGE

Sets the display language for the menu screen.

#### INPUT SELECT

##### D-SUB

Select the input mode to be used in D-Sub input terminal.

##### HDMI CEC LINK

AUTO .....Use the HDMI CEC function.

If the device connected to the HDMI input terminal supports CEC, the input mode of the monitor changes to HDMI when playback starts on the device.

OFF .....HDMI CEC function is not used.

##### AUTO POWER ON

This can be set when HDMI CEC LINK is set to AUTO.

If the device connected to the HDMI input terminal supports CEC, you can specify whether or not the monitor power turns on when the device power is turned on.

##### HDMI AUTO VIEW

When ON is selected, the screen size is adjusted automatically according to the screen size control signal included in the video signal input from the HDMI1 to HDMI3 input terminals and expansion slot (when the expansion function is used).

##### DisplayPort STREAM

Set how DisplayPort is used.

If a device that do not support DisplayPort1.2 is connected, set to SST1.

SST1 ....Use as single stream (DisplayPort1.1).

SST2 ....Use as single stream (DisplayPort1.2).

MST.....Only DisplayPort2 can be set.

Use as multi stream (DisplayPort1.2).

(This may not display correctly, depending on the computer (video card) that is connected.)

##### HDMI MODES

Use MODE1 normally.

If video is not displayed correctly when one of the HDMI1 to HDMI3 input terminals is used, such as when a device that do not support 4K is connected, set to MODE2.

Also set MODE2 when the connected device that 4K supports only Vsync 50/60 Hz, YCbCr 4:2:0.

##### INPUT MODE NAME

For each terminal, you can change the input mode name that is displayed during input mode selection or display.

The names of INPUT1 to INPUT6\* can be changed. (\*Factory default.)

(1) Select the input mode name (INPUT1 to INPUT6) that you want to change, and press the ENTER button.

If the input mode name can be changed, “EDIT: [ENTER]” will appear.

(2) Move the cursor to the character that you want to change with the ◀ or ▶ button, and change the character with the ▲ or ▼ button.

Change the character type with the MODE button (upper case alphabet, lower case alphabet, numbers, symbols).

(3) When you have finished the change, press the ENTER button.

Up to 18 characters can be used.

##### AUDIO SELECT

Selects the terminal used to input audio signals in each input mode.

**AUDIO OPTION****SPEAKER SELECT**

Selects the speaker to be used.

**AUDIO OUTPUT**

Sets the volume of sound output from the audio output terminals.

When set to VARIABLE 2, sound will not be output from the built-in speaker or the external speaker terminal.

VARIABLE1..... You can adjust the volume using VOLUME.

VARIABLE2..... You can adjust the volume using VOLUME.

FIXED..... Fixes the sounds.

**AUDIO INPUT LEVEL**

Selects the maximum audio input level of the audio input terminal.

**MONAURAL AUDIO**

Outputs audio signals as monaural.

**TOUCH INPUT SELECT**

These settings enable use of the touch panel according to input mode selection.

**BOTTOM USB**

Sets the input mode for use of the touch panel, which is connected to the USB port at the bottom of the monitor.

In the landscape orientation, select the terminal into which the video signal of the computer connected to the USB 1 port will be input. When BOTTOM INPUT TERM. is selected and the input mode is DisplayPort 1, or HDMI1, the touch panel can be used with the computer connected to the USB 1 port.

In the portrait orientation, select the terminal into which the video signal of the computer connected to the USB 2 port will be input. When BOTTOM INPUT TERM. is selected and the input mode is DisplayPort 2, HDMI2, HDMI3, or D-SUB, the touch panel can be used with the computer connected to the USB 2 port.

When “-“ is selected, the touch panel cannot be used.

**SIDE USB**

Sets the input mode for use of the touch panel, which is connected to the USB port at the side of the monitor.

In the landscape orientation, select the terminal into which the video signal of the computer connected to the USB 2 port will be input. When SIDE INPUT TERM. is selected and the input mode is DisplayPort 2, HDMI2, HDMI3, or D-SUB, the touch panel can be used with the computer connected to the USB 2 port.

In the portrait orientation, select the terminal into which the video signal of the computer connected to the USB 1 port will be input. When SIDE INPUT TERM. is selected and the input mode is DisplayPort 1, or HDMI1, the touch panel can be used with the computer connected to the USB 1 port.

When “-“ is selected, the touch panel cannot be used.

**START INPUT MODE**

You can set the input mode that will be in effect when the power is turned on.

When this is set to LAST INPUT MODE, the input mode when the power was last turned off will appear.

\* When NO SIGNAL AUTO INPUT SEL is ON and there is no input signal in the set input mode, the input mode will change to the input mode that has an input signal.

**COMMUNICATION SETTING****RS-232C/LAN SELECT**

Selects the method with which to control the monitor from the computer.

**BAUD RATE**

Selects the communication speed used for RS-232C communication.

**LAN SETUP**

Configures the settings to control the monitor from the computer via LAN. (See page 54.)

**Crestron Connected**

Select this when using a Crestron device. When this function is set to ON, the monitor can be controlled via network using equipment and application software of Crestron Electronics, Inc.

This monitor supports application software RoomView from Crestron Electronics, Inc.

This is a function to connect a system developed by Crestron Electronics, Inc. which manages and controls multiple system devices connected to the network.

For details of Crestron Connected, refer to the Crestron Electronics, Inc. website. (Provided only In English.)

<http://www.crestron.com/>

For the download of RoomView Express, refer to the Crestron Electronics, Inc. website. (Provided only In English.)

<http://www.crestron.com/getroomview>

**REMOTE No.**

Sets the number of the remote control unit. (See page 41.)

### ■MONITOR

#### **PORTRAIT/LANDSCAPE INSTALL**

Select the installation direction of the monitor.

LANDSCAPE .....Landscape orientation

PORTRAIT .....Portrait orientation

#### **HORIZONTAL INSTALLATION**

OFF .....Portrait/landscape installation.

FACE UP ..... The display screen faces up.

\* This monitor should not be mounted flat or used as a touch table type installation. Please consult an authorized SHARP dealer before considering any type of flat installation (when the monitor is tilted more than 20 degrees upward from the perpendicular in relation to a level surface), and find out about the mandatory flat mounting instructions.

#### **OSD H-POSITION**

Adjusts the horizontal display position of menu screen.

#### **OSD V-POSITION**

Adjusts the vertical display position of menu screen.

#### **OPERATION MODE**

MODE1.....OFF IF NO OPERATION is set to ON, and POWER SAVE MODE is set to ON.

(These settings can not be changed.)

MODE2.....Will perform standard operation. OFF IF NO OPERATION is set to OFF, and POWER SAVE MODE is set to OFF. These settings can be changed.

#### **POWER SAVE MODE**

When OFF is selected, startup time from standby mode is reduced. Note, however that, more power will be consumed in standby mode.

When ON is selected, current consumption is reduced while the monitor is in standby mode. Note, however, that the startup time from standby mode becomes longer.

If set to ON, certain RS-232C commands cannot be used in standby mode, and control via LAN will be disabled.

#### **OFF IF NO OPERATION**

Determines whether or not to set the monitor to go into standby mode when there is no operation from the remote control unit, RS-232C commands or LAN.

When the setting is ON, set the time until standby mode is entered in TIME.

#### **POWER ON DELAY**

When ON is selected, you can delay the screen display after the monitor is turned on. When ON is selected, set the delay time with INTERVAL (interval can be set up to 60 seconds in units of 1 second).

When this function is activated, the power LED flashes (at approx. 0.5 second interval) in blue.

#### **SELF ADJUST**

On a D-SUB[RGB] screen, specify whether to perform screen adjustment automatically or not.

When ON is selected, the screen is automatically adjusted when its resolution is 800 x 600 or higher and the timing of input signals changes. "ADJUSTING" appears on the screen during the adjustment.

If SELF ADJUST is set to ON, set the time it takes to start the SELF ADJUST function in START TIMING.

For images with black edges, etc., depending on the signal, adjustment may not be possible. In this case select OFF. (Perform manual adjustment of the screen.)

#### **TOUCH PANEL**

##### **TOUCH OUTPUT INVALID DISP.**

TOUCH OUTPUT INVALID ICON ..... Sets whether the TOUCH OUTPUT INVALID icon is displayed when touch action is disabled.

CHANGE DISPLAY POSITION..... Sets the display position of the TOUCH OUTPUT INVALID icon.

##### **TOUCH OPERATION MODE**

Select the touch mode.

The touch panel must be connected in order to configure this setting.

When AUTO is selected, automatically switches between SINGLE-TOUCH MODE and MULTI-TOUCH MODE according to operating system.

##### **PALM CANCEL MODE**

When you write with the touch pen, you can set the touch panel to not respond when your hand touches the screen.

##### **TOUCH PANEL MODE (HDMI/D-SUB[RGB]/DisplayPort/OPTION)**

When the Vsync of the input signal is 60 Hz, setting this to ON improves touch panel tracking.

When two screens are displayed, or when V-POS or V-SIZE is adjusted on the SCREEN menu, the screen may become distorted.

Some input signals may also cause screen distortion.

If the screen becomes distorted, set to OFF.

**■MULTI/PIP****PIP/PbyP****PIP MODES**

Sets the display method.

OFF ..... Displays one screen.

PIP ..... Displays a sub screen inside a main screen.

PbyP..... Displays a main screen and a sub screen in a line.

PbyP2..... Displays a main screen which measures 2560 pixels in the longest direction and a sub screen in a line.

**PIP SIZE**

Sets the size of the sub screen in PIP mode.

**PIP H-POS**

Adjusts the horizontal position of the sub screen in PIP mode.

**PIP V-POS**

Adjusts the vertical position of the sub screen in PIP mode.

**PIP BLEND**

In PIP mode, use this menu item to display the sub screen transparently.

**PIP SOURCE**

Selects the input signal of the sub screen in PIP, PbyP or PbyP2 mode.

**SOUND CHANGE**

Sets the sound which is output in PIP, PbyP or PbyP2 mode.

**MAIN POS**

Sets the position of the main screen in PbyP or PbyP2 mode.

**PbyP2 POS**

Sets the position of the sub screen in PbyP2 mode.

**CONFIGURE QUAD-SCREEN****QUAD-SCREEN MODE**

Set how the screens are displayed.

OFF ..... Display single screen.

ON ..... Display 4 screens simultaneously.

**SETTING INITIAL SCREEN**

Set the input mode displayed in each of the 4 screens.

When AUTO is selected, input modes that have input signals are displayed in the order set in PRIORITY: AUTO INPUT SEL..

**PRIORITY: AUTO INPUT SEL.**

Set the order of priority for the input mode that is displayed when AUTO is selected for SETTING INITIAL SCREEN.

The lower the number, the higher the priority.

**SAVE LAST INPUT CONFIG.**

OFF ..... When quad-screen display is started, the 4 screens set in SETTING INITIAL SCREEN always appear.

ON ..... When quad-screen display is started, the previously displayed 4 screens appear.

**TARGET: SOUND / INPUT SEL.**

When quad-screen is displayed, you set the screen whose audio is output, and the screen whose input is changed.

When you return to single screen display, the input mode will return to the input mode set here.

**RECONFIGURE QUAD-SCREEN**

Displays 4 screens again according to SETTING INITIAL SCREEN setting.

This can be set when QUAD-SCREEN MODE is set to ON.

**INPUT SIGNAL INFO.**

This shows the input mode, resolution, and frequency of the displayed screens.

## Menu Items

### ■ OTHERS

#### POWER MANAGEMENT

POWER MANAGEMENT determines whether or not to switch modes from no signal to the input signal waiting mode.

#### CONNECT AUTO INPUT SELECT

Sets whether the input into the input terminal automatically changes when a video signal is input into that terminal.  
(With some input signals, the input may not change.)

#### NO SIGNAL AUTO INPUT SEL.

Specify whether to change inputs automatically. When ON is selected and no signal is present in the selected input mode, the monitor automatically changes the selected mode to another mode where a video signal is present.  
When there are video signals in multiple input modes, switching takes place according to the order of priority set in AUTO INPUT SELECT PRIORITY.

#### AUTO INPUT SELECT PRIORITY

Sets the order of input terminal priority for NO SIGNAL AUTO INPUT SEL..  
When an option that supports this function is connected to the expansion slot, you can set the order in OPTION.  
(If the option does not support this function, OPTION will not appear.)  
Input does not change automatically for terminals without a priority setting.  
The lower the number, the higher the priority.

#### LOGO SCREEN

Sets whether or not to display the logo screen.

#### SCAN MODE (HDMI/D-SUB[COMPONENT]/OPTION)

Sets the scan mode used for video input.

MODE1..... Over-scan display.

MODE2..... Under-scan display.

\* Even when MODE1 is selected, under-scan display is used when the input signal is 3840×2160 and the screen size is Dot by Dot.

#### VOLUME

Adjusts the volume.

#### MUTE AUDIO

Can temporarily turn off the volume.

#### MUTE WITH FREEZE

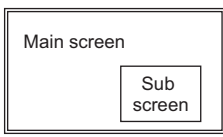
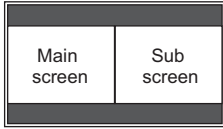
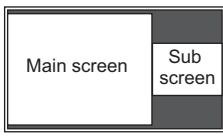
Set whether or not audio turns off during freeze.

#### TIPS

- When WHITE BALANCE is set to THRU, BLACK LEVEL, CONTRAST, TINT, COLORS, GAMMA and COPY TO USER cannot be set.
- If COLOR MODE is set to sRGB, the following items cannot be set.  
PRESET, USER, COPY TO USER, and GAMMA
- When the COLOR MODE is set to VIVID or HIGH ILLUMINANCE, GAMMA can not be adjusted.
- When displaying the color pattern, it is possible to adjust certain items of the PICTURE menu.  
Non-adjustable items cannot be selected.
- CONNECT AUTO INPUT SELECT and NO SIGNAL AUTO INPUT SEL. do not work for the Sync-on-green signal of D-SUB[RGB] or the signals of D-SUB[COMPONENT].

## ■Dual-screen display

You can display two screens simultaneously.  
Set this function with PIP MODES of PIP/PbyP in the MULTI/PIP menu.  
Or, press the PIP/PbyP button, and select the mode.

<b>PIP</b>		A sub screen is displayed inside a main screen.
<b>PbyP</b>		A main screen and a sub screen are displayed in a line.
<b>PbyP2</b>		Displays a main screen which measures 2560 pixels in the longest direction and a sub screen in a line.

- \* The currently selected input signal is displayed on the main screen.
- \* The following combinations are available for display:
  - DisplayPort1 - DisplayPort2
  - DisplayPort1 - HDMI1, HDMI2, HDMI3
  - DisplayPort1 - D-SUB[RGB]
  - DisplayPort1 - D-SUB[COMPONENT]
  - DisplayPort1 - OPTION
  - DisplayPort2 - HDMI1, HDMI2, HDMI3
  - DisplayPort2 - D-SUB[RGB]
  - DisplayPort2 - D-SUB[COMPONENT]
  - DisplayPort2 - OPTION
  - HDMI1 - HDMI2, HDMI3
  - HDMI2 - HDMI3
  - HDMI1, HDMI2, HDMI3 - D-SUB[RGB]
  - HDMI1, HDMI2, HDMI3 - D-SUB[COMPONENT]
  - HDMI1, HDMI2 - OPTION
  - D-SUB[RGB], D-SUB[COMPONENT] - OPTION

### TIPS

- You might infringe on a copyright of the author which is protected by copyright law when you display the images of the computer screen and television/VCR simultaneously for profit-making or to show the image to the public.
- The screen size for dual-screen display is the same as the screen size for single-screen display. The Dot by Dot screen is displayed in NORMAL size except when it is set as the PIP main screen.
- When dual-screen display is selected, the CONNECT AUTO INPUT SELECT function and NO SIGNAL AUTO INPUT SEL. function are disabled.
- When dual-screen display is selected, the INPUT SELECT options cannot be set.
- When dual-screen display is selected, the AUDIO menu cannot be set.
- When dual-screen display is selected, the DISPLAY COLOR PATTERN cannot be set.
- When an interlaced signal (1080i, 480i, video) is input to the sub screen, horizontal lines may flicker. If this happens, display the image on the main screen.
- Touch operation cannot be used in the sub screen.
- When DisplayPort STREAM is set to MST, you cannot set PIP MODES to PIP, PbyP, or PbyP2.
- When HDMI CEC LINK is set to AUTO, SOUND CHANGE on the PIP/PbyP may be changed to MAIN due to the switching of the monitor's input or due to the operation of the HDMI-connected device.

## ■Quad-screen display

You can display 4 screens simultaneously.

### Landscape orientation

Position 1 (1920×1080)	Position 2 (1920×1080)
Position 3 (1920×1080)	Position 4 (1920×1080)

### Portrait orientation

Position 2 (1920×1080)	Position 4 (1920×1080)
Position 1 (1920×1080)	Position 3 (1920×1080)

### Displaying 4 screens

1. Touch the TOUCH MENU button, and touch the QUAD-SCREEN ON icon (4).
- Or, set CONFIGURE QUAD-SCREEN – QUAD-SCREEN MODE to ON in the MULTI/PIP menu.
- Or, press the PIP/PbyP button, and select the QUAD-SCREEN.
  - The 4 screens set in SETTING INITIAL SCREEN appear.
  - When SAVE LAST INPUT CONFIG. is ON, the previously displayed 4 screens appear.
  - You can return to the 4 screens set in SETTING INITIAL SCREEN using the RECONFIGURE QUAD-SCREEN icon (4) in the touch menu, or CONFIGURE QUAD-SCREEN – RECONFIGURE QUAD-SCREEN in the MULTI/PIP menu.

### Deciding the screen that will be the audio output/input mode selection target

Set the screen whose audio is output, and the screen whose input is changed.

1. Double-tap the screen you want to be the target.
- Or, set in CONFIGURE QUAD-SCREEN – TARGET: SOUND / INPUT SEL. in the MULTI/PIP menu.

### Returning to single screen

1. Touch the TOUCH MENU button, and touch the QUAD-SCREEN OFF icon (1).
- Or, set CONFIGURE QUAD-SCREEN – QUAD-SCREEN MODE to OFF in the MULTI/PIP menu.
- Or, press the PIP/PbyP button, and select the OFF.
  - The screen set in the audio output/input mode selection target is displayed on 1 screen.

## TIPS

- You might infringe on a copyright of the author which is protected by copyright law when you display the images of the computer screen and television/VCR simultaneously for profit-making or to show the image to the public.
- When quad-screen display is selected, screen size cannot be changed.  
The screen size for quad-screen display is the same as the screen size for single-screen display. The Dot by Dot screen is displayed in NORMAL size.
- When quad-screen display is selected, the CONNECT AUTO INPUT SELECT function and NO SIGNAL AUTO INPUT SEL. function are disabled.
- When quad-screen display is selected, D-SUB of INPUT SELECT cannot be set.
- When quad-screen display is selected, SCREEN menu and AUDIO menu cannot be set.
- When quad-screen display is selected, the DISPLAY COLOR PATTERN cannot be set.
- When the screen size is set to ZOOM2 and ZOOM2 SPECIAL SETTING is set to ON, that display state is held.
- When quad-screen display is selected, DisplayPort2 of DisplayPort STREAM cannot be set.
- When quad-screen display is selected, the monitor will not enter the input signal waiting mode even if POWER MANAGEMENT is set to ON.
- When quad-screen display is selected, HDMI CEC LINK does not operate.
- When quad-screen display is selected, the FREEZE, DP (DisplayPort), HDMI, and OPTION buttons cannot be used.
- When quad-screen display is selected, the position 1 screen is output from the DisplayPort output terminal.
- When quad-screen display is selected, the connected computer cannot be operated by touch.

## ■ZOOM2 SPECIAL SETTING

If you connect a laptop computer with any of the following screen resolutions and black bands appear around the screen, set ZOOM2 SPECIAL SETTING of INPUT SIGNAL on the SCREEN menu to ON and then select ZOOM2 in the SIZE setting.

This displays the area inside the black band.

Laptop computer resolution	Corresponding signal*1
1280x800	1280x1024, 1280x960, 1400x1050*2
1280x600	1280x720
1024x600	1024x768

\*1: This setting is effective only when the screen resolution, including the black band, is one of the resolutions listed above.

\*2: Use the automatic screen adjustment.

## ■SCHEDULE

You can set the time to switch the monitor on and off. Set this function with "SCHEDULE" in the SETUP menu. (See page 34.)

SCHEDULE				<D-SUB[RGB]>	
No.	(1) POWER	(3) DAY OF THE WEEK	(4) TIME	(5) INPUT	(6) BRIGHT
1	- - -	- - - - -	- - : - -	- -	- -
2	- - -	- - - - -	- - : - -	- -	- -
3	- - -	- - - - -	- - : - -	- -	- -
4	- - -	- - - - -	- - : - -	- -	- -
5	- - -	- - - - -	- - : - -	- -	- -
6	- - -	- - - - -	- - : - -	- -	- -
7	- - -	- - - - -	- - : - -	- -	- -
8	- - -	- - - - -	- - : - -	- -	- -

OK:[ENTER] CANCEL:[RETURN]

- Press the ▲ or ▼ button to select the SCHEDULE number, and press the ► button.
- Set the SCHEDULE. (See the description below.)  
Press the ◀ or ▶ button to select items, and press the ▲ or ▼ button to change the setting.
- Press the ENTER button.  
SCHEDULE becomes effective.

### (1)

- : SCHEDULE effective
- : SCHEDULE not effective

### (2) POWER

- ON : Switches the monitor on at the specified time.
- OFF : Switches the monitor off at the specified time and puts the monitor in standby mode.

### (3) DAY OF THE WEEK

- Specifies the day of the week to execute the SCHEDULE.
- 0: ONLY ONCE  
Executes the SCHEDULE once on the specified day.  
Specify the day of the week to execute the SCHEDULE.
- 1: EVERY WEEK  
Executes the SCHEDULE on the specified day of the week every week. Specify the day of the week to execute the SCHEDULE.  
Periodic setting such as "Monday through Friday" is also possible.
- 2: EVERY DAY  
Executes the SCHEDULE every day regardless of the day of the week.

### (4) TIME

- Specifies the time to execute the SCHEDULE.  
Set the time on a 24-hour basis. (Factory default)  
Can be entered as 12-hour time using the TIME setting in DATE/TIME FORMAT.

### (5) INPUT

- Specifies the input mode at power-on. If not specified, the START INPUT MODE setting will apply. By factory default, the input that was active when the power was last turned off will appear.  
Input modes displayed on D-SUB will depend upon the INPUT SELECT settings.



**(6) BRIGHT**

Sets the brightness when changing the screen brightness at a specified time.

**! Caution**

- Do not switch off the main power after setting the SCHEDULE.
- Specify the correct date and time. (See page 34.) SCHEDULE does not function unless the date and time are specified.
- Check regularly that the set date and time are correct.
- When a temperature abnormality occurs and the backlight brightness is reduced, the brightness is not changed even if a schedule set to BRIGHT is executed.

**TIPS**

- Up to 8 SCHEDULE items can be registered.
- Setting the SCHEDULE flashes the power LED in orange in standby mode.
- A SCHEDULE that has a large number has precedence over that of a small number when schedules overlap.

**■ About remote control numbers**

If there is another monitor nearby, you can change the remote control number to prevent the other monitor from being operated by the remote control unit.

Set the same number in the monitor and in the remote control unit.

**TIPS**

- You can set remote control numbers to values from 0 to 9.
- When the remote control unit batteries become exhausted and when you replace the batteries, the number on the remote control unit may be reset to 0.

**Changing the remote control number on the monitor**

Use REMOTE No. on the SETUP menu to set the number. (See page 35.)

1. Use the ◀ or ▶ button to select the remote control number.
2. Select ON and press the ENTER button.

The remote control number is set on the monitor.

**Changing the remote control number on the remote control unit**

1. While holding down the ID SET button, hold down the number that corresponds to the remote control number set on the monitor for 5 seconds or more, and then release these buttons.

The remote control number is set on the remote control unit.

**Checking the remote controller number**

\* Perform these steps on the remote control unit.

1. Press the INFORMATION button to display INFORMATION1.
2. Check that REMOTE No. is the remote control number that you have set in the above procedure.
3. Press the RETURN button to close the monitor INFORMATION screen.

**TIPS**

- If the remote control numbers on the monitor and remote control unit are different, they will both be displayed on INFORMATION1. On this screen, you can press the ENTER button to match the number on the monitor with the number on the remote control unit.
- Even if the remote control numbers are different, you can use the remote control unit to display the INFORMATION screen.

### Adjustments for computer screen display

#### ■Automatic adjustment

When you use D-SUB[RGB] to display a computer screen for the first time, or when you change the setting of the computer, use the automatic screen adjustment.

1. **Switch the input to D-SUB[RGB] and display the adjustment pattern.** (See the description below.)
2. **Press the MENU button and use the ▲ or ▼ button to display the SCREEN menu.**
3. **Press the ENTER button and select "AUTO".**
4. **Press the ENTER button.**

The automatic adjustment is complete in several seconds.

5. **Press the MENU button to close the menu screen.**

#### TIPS

- If the screen cannot be adjusted properly with one automatic adjustment, repeat the automatic adjustment two or three times. Try manual adjustment if necessary.

#### ■Screen display for adjustment

Before making adjustments in the SCREEN menu or PICTURE menu, display an image to brighten the entire screen. If you are using a Windows computer, use the adjustment pattern on the supplied CD-ROM.

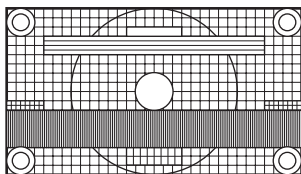
##### Opening the adjustment pattern

The following example is performed in Windows 7.

1. **Load the supplied CD-ROM into the computer's CD-ROM drive.**
2. **Open [CD Drive] in [Computer].**
3. **Double-click [Adj\_uty.exe] in the [Monitor] folder.**

The adjustment pattern will appear.

Adjust the screen automatically or manually.



4. **When adjustment is finished, press the [Esc] on the computer's keyboard to quit the adjustment program.**
5. **Eject the CD-ROM from the CD-ROM drive.**

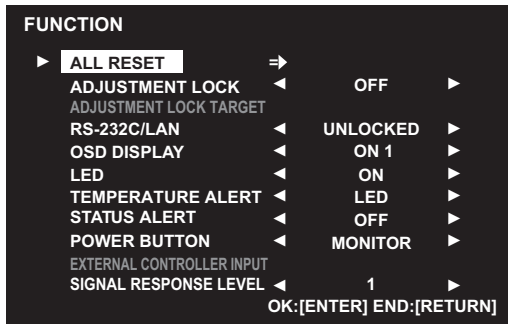
#### TIPS

- If the display mode on the computer you are using is 65000 colors, the color levels in the color pattern may appear differently or grayscale may appear to be colored. (This is due to the specifications of the input signal and is not a malfunction.)

# Initialization (Reset)/Functional Restriction Setting (FUNCTION)

You can return the settings to their factory-preset values and restrict operations.

## 1. Press the FUNCTION button, and then press the MENU button within 10 seconds.



## 2. Select and set the items.

### ALL RESET

Resets the settings to the factory default settings. Press the ENTER button, select the resetting method, and then press the ENTER button.

ALL RESET 1 ...Resets all the settings to the factory default settings.

ALL RESET 2 ...Returns all settings to the factory default settings except for the following items: LAN SETUP, RS-232C/LAN SELECT, REMOTE No., BAUD RATE, NETWORK, MAIL, SERVICE & SUPPORT, and SNMP. (See page 35, and pages 58 to 61.)

### ADJUSTMENT LOCK

You can disable operations on the monitor and the remote control unit that use buttons.

OFF ... Enables operation.

ON 1 ... Disables all operations other than turning power on/off and FUNCTION.

ON 2 ... Only the FUNCTION operation is enabled. Disables all operations other than FUNCTION (not even power on/off).

### ADJUSTMENT LOCK TARGET

Sets the target to prohibit operation of with ADJUSTMENT LOCK.

REMOTE CONTROL..... Prohibits remote control operation

MONITOR BUTTONS ... Prohibits monitor button operation

BOTH..... Prohibits remote control and monitor button operation

### RS-232C/LAN

Specifies whether to allow control via RS-232C or LAN. (See pages 44 and 54.)

### OSD DISPLAY

Shows/hides the menu, modes and messages.

The FUNCTION screen cannot be hidden.

ON 1 ..... Shows all menus, modes and messages.

ON 2 ..... Hides messages automatically displayed by the display. Shows messages during operation.

OFF ..... Hides all menus, modes and messages.

### LED

Specifies whether to light the power LED.

### TEMPERATURE ALERT

Selects the notification method for an abnormal temperature.

OFF ..... Do not notify about an abnormal temperature.

OSD & LED ... When an abnormal temperature is detected, the power LED flashes in orange and blue alternately and the screen displays a message: TEMPERATURE.

LED..... When an abnormal temperature is detected, the power LED flashes in orange and blue alternately.

### STATUS ALERT

Selects the notification method for a hardware error.

OFF ..... Do not notify about the error.

OSD & LED ... When a hardware error is detected, the power LED illuminates in blue and orange alternately and the screen displays a message: STATUS [xxxx].

LED..... When a hardware error is detected, the power LED illuminates in blue and orange alternately.

### POWER BUTTON

Normally, leave this setting as MONITOR.

When using an optional part, if instruction appears, change the setting accordingly.

### EXTERNAL CONTROLLER INPUT

Normally, you do not need to change this setting.

When using an optional part, if instruction appears, change the setting accordingly.

### SIGNAL RESPONSE LEVEL

Normally, you do not need to change this setting. Use this option to set the level of response to signal changes.

## 3. Press the RETURN button to return to the normal screen.

### TIPS

- When both abnormal temperature and hardware error are detected, the hardware error notification overrides.
- If TEMPERATURE ALERT or STATUS ALERT is set to OSD & LED, alert messages will appear even if the OSD DISPLAY is set to ON 2 or OFF.
- If TEMPERATURE ALERT or STATUS ALERT is set to LED or OSD & LED, the power LED lights even if the LED function is set to OFF.

# Controlling the Monitor with a computer (RS-232C)

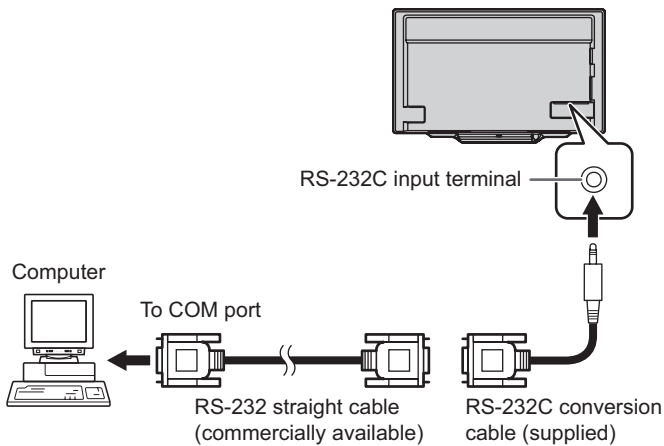
You can control this monitor from a computer via RS-232C (COM port) on the computer.

## TIPS

- To control the monitor via RS-232C, set RS-232C/LAN SELECT to RS-232C.
- You cannot use RS-232C and LAN control simultaneously.

## Computer connection

Connect the RS-232C conversion cable (supplied) to the RS-232C input terminal on the monitor. Connect the RS-232C conversion cable (supplied) to the COM port (RS-232C port) on your computer with an RS-232 cable (straight).



## Communication conditions

Set the RS-232C communication settings on the computer to match the monitor's communication settings as follows:

Baud rate	*
Data length	8 bits
Parity bit	None

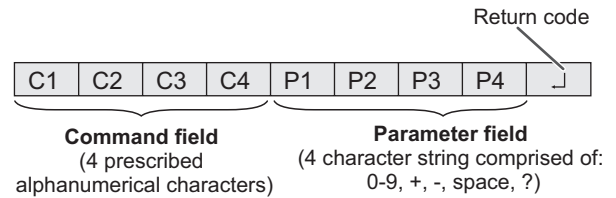
Stop bit	1 bit
Flow control	None

\* Set to the same baud rate as the BAUD RATE setting of SETUP menu. (Initial setting: 38400 bps)

## Communication procedure

### Command format

When a command is sent from the computer to the monitor, the monitor operates according to the received command and sends a response message to the computer.



Example: VOLM0030  
VOLM \_ \_ 30

- \* Be sure to input 4 characters for the parameter. Pad with spaces (" ") if necessary.  
(" " is a return code (0DH, 0AH or 0DH))  
Wrong : VOLM30  
Right : VOLM \_ \_ 30

When inputting a negative value, specify a numerical value in three digits.

Example: AUTR-005

When the parameter part is 5 or more characters, specify parameters using a specified number of characters without using spaces.

Example: MPOS010097

If a command has "R" listed for "Direction" in the "RS-232C command table" on page 47, the current value can be returned by using "?" as the parameter.

Example:

VOLM ? ? ? ? ← From computer to monitor (How much is current volume setting?).

30 ← From monitor to computer (Current volume setting: 30).

## ■Response code format

### When a command has been executed correctly

O	K	␣
---	---	---

Return code  
(0DH, 0AH)

A response is returned after a command is executed.

### When a command has not been executed

E	R	R	␣
---	---	---	---

Return code  
(0DH, 0AH)

#### TIPS

- “ERR” is returned when there is no relevant command or when the command cannot be used in the current state of the monitor.
- If communication has not been established for reasons such as a bad connection between the computer and monitor, nothing is returned (not even ERR).
- “ERR” may be returned when a command cannot be received correctly due to interference from the surrounding environment.  
Please ensure that the system or software resends the command if this occurs.

### If execution of the command is taking some time

W	A	I	T	␣
---	---	---	---	---

Return code  
(0DH, 0AH)

When the following commands are used, “WAIT” is returned. In this case, a value will be returned if you wait a while. Do not send any command during this period.

- Commands which return WAIT:  
RSET, INPS, ASNC, WIDE, PXSL, POWR, AGIN, MWIN, MWIP, MWPP, DPST, DPS2, MSCS, MSP1, MSP2, MSP3, MSP4

### When control via RS-232C is locked (see page 43)

L	O	C	K	E	D	␣
---	---	---	---	---	---	---

Return code  
(0DH, 0AH)

### When RS-232C/LAN SELECT is set to LAN

U	N	S	E	L	E	C	T	E	D	␣
---	---	---	---	---	---	---	---	---	---	---

Return code  
(0DH, 0AH)

## ■Communication interval

- After OK or ERR is returned, you must send the following commands.  
To set a timeout for the command response, specify 10 seconds or longer.
- Provide an interval of 100 ms or more between the command response and the transmission of the next command.

```
VOLM0020
OK
Interval of 100 ms or more
INPS0001
WAIT
OK
```

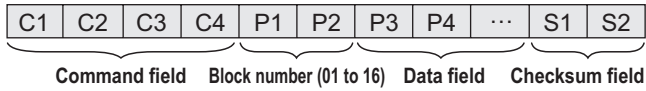
#### TIPS

- When executing ALL RESET, set the timeout period to 30 seconds or longer.
- When turning the power on while the POWER ON DELAY function is in use, set the timeout period to the POWER ON DELAY period + 10 seconds or longer.

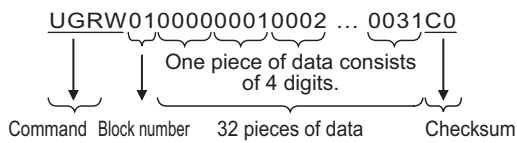
## Setting of the GAMMA user data

### ■ To transfer the GAMMA user data

Use the user data transfer commands (UGRW, UGGW and UGBW). For each of the R, G and B colors, divide the total 512 pieces of user data into 16 blocks, and transfer 32 pieces of data with each command.



Example: To transfer the data of block 1 (0 to 31 levels) of red (R) data



- \* If data is less than 4 digits, add a "0" (zero) to make it 4 digits.
- \* The checksum field is the character string (ASCII) data of lower-order one byte which indicates the sum of the block number and 32 pieces of data in hexadecimal (0 to F).

### ■ Saving the GAMMA user data

Use the user data save command (UGSV) to save the transferred user data in the monitor.

If the data is not saved, it will be cleared when:

- The main power switch is off.
- POWER SAVE MODE is ON and the monitor enters standby mode.

### ■ Activating the GAMMA user data

To activate the transferred user data, select USER for GAMMA of the PICTURE menu, or send the corresponding RS-232C command.

### ■ Checking the GAMMA user data

Use the user data read commands (UGRR, UGGR and UGBR) to return 512 pieces of user data for each of the R, G and B colors. Divide the data into 16 blocks and return 32 pieces of data with each command. The value to be returned is not the value stored in the monitor, but the value in the temporary memory for display. (These values are the same when the user data save command (UGSV) above has been sent.)

#### TIPS

- The user data is not initialized by RESET of the PICTURE menu. To initialize the user data, use ALL RESET of the FUNCTION menu.  
The GAMMA user data initialize command (UGRS) allows the initialization of the user data only.

## RS-232C command table

### How to read the command table

- Command: Command field (See page 44.)
- Direction: W When the "Parameter" is set in the parameter field (see page 44), the command functions as described under "Control/Response Contents".  
 R The returned value indicated under "Reply" can be obtained by setting "???" or "\_\_\_?" in the parameter field (see page 44).
- Parameter: Parameter field (See page 44.)
- Reply: Response (Returned value)
- \* : When POWER SAVE MODE is set to OFF:  
 "●/○" : Indicates a command which can be used in standby mode or when the power is on.  
 "—" : Indicates a command which can be used when the power is on. Cannot be used in standby mode.
- When POWER SAVE MODE is set to ON:  
 "●" : Indicates a command which can be used in standby mode or when the power is on.  
 "○/—" : Indicates a command which can be used when the power is on. Cannot be used in standby mode.

### Power control/Input mode selection

Function	Command	Direction	Parameter	Reply	Control/Response contents	*	
POWER CONTROL	POWR	W	0		Switches to standby mode.		
			1		Returns from standby mode.		
		R		0	Standby mode		
				1	Normal mode		
		2	Input signal waiting mode				
INPUT MODE SELECTION	INPS	W	0		Toggle change for input mode. Terminals not selected in INPUT SELECT cannot be selected.		
			2		D-SUB[RGB] "ERR" when other than RGB is selected for D-SUB of INPUT SELECT.		
			3		D-SUB[COMPONENT] "ERR" when other than COMPONENT is selected for D-SUB of INPUT SELECT.		
			10		HDMI1		
			13		HDMI2		
			14		DisplayPort1		
			18		HDMI3		
			21		OPTION "ERR" when nothing is attached in the expansion slot.		
			22		DisplayPort2		
			R		2	D-SUB[RGB]	
				3	D-SUB[COMPONENT]		
				10	HDMI1		
				13	HDMI2		
				14	DisplayPort1		
		18	HDMI3				
		21	OPTION				
		22	DisplayPort2				

# Controlling the Monitor with a computer (RS-232C)

## SCREEN menu

Function		Command	Direction	Parameter	Reply	Control/Response contents	*
AUTO		ASNC	W	1		When the input mode is D-SUB[RGB].	
CLOCK		CLCK	WR	0-1200	0-1200	When the input mode is D-SUB[RGB]. Varies depending on the signal.	
PHASE		PHSE	WR	0-63	0-63	When the input mode is D-SUB[RGB].	
POSITIONING	POSITION OF THE LONGEST DIRECTION	HPOS	WR	0-100	0-100	0-800 on D-SUB[RGB]. Varies depending on the signal.	
	POSITION OF THE SHORTEST DIRECTION	VPOS	WR	0-200	0-200	0-200 on D-SUB[RGB]. Varies depending on the signal.	
SIZE	SIZE OF THE LONGEST DIRECTION	HSIZ	WR	0-100	0-100		
	SIZE OF THE SHORTEST DIRECTION	VSIZ	WR	0-100	0-100		
RESOLUTION SETTING	LONGEST DIRECTION RESOLUTION	HRES	WR	300-1920	300-1920	When the input mode is D-SUB[RGB]. Only even numbers are valid for parameters. Varies depending on the signal.	
	SHORTEST DIRECTION RESOLUTION	VRES	WR	300-1200	300-1200		
INPUT SIGNAL (D-SUB[RGB])		PXSL	WR	1	1	768) 1360 x 768	
				2	2	768) 1280 x 768	
				3	3	768) 1024 x 768	
				5	5	480) 848 x 480	
				6	6	480) 640 x 480	
				7	7	1050) 1680 x 1050	
				8	8	1050) 1400 x 1050	
				9	9	768) AUTO	
				10	10	480) AUTO	
				Check the resolution (other than D-SUB[COMPONENT])		PXCK	R
Check the resolution (D-SUB[COMPONENT])		RESO	R		-	480i, 480p, 1080i, 720p, 1080p , etc.	
ZOOM2 SPECIAL SETTING (D-SUB[RGB])		Z2SP	WR	0-1	0-1	0: OFF, 1: ON	○
RESET		ARST	W	1			-



## Controlling the Monitor with a computer (RS-232C)

### PICTURE menu

Function		Command	Direction	Parameter	Reply	Control/Response contents	*		
BRIGHT		VLMP	WR	0-31	0-31				
CONTRAST		CONT	WR	0-60	0-60				
BLACK LEVEL		BLVL	WR	0-60	0-60				
TINT		TINT	WR	0-60	0-60				
COLORS		COLR	WR	0-60	0-60				
SHARPNESS		SHRP	WR	0-24	0-24				
COLOR ADJUSTMENT	COLOR MODE	BMOD	WR	0	0	STD			
				2	2	VIVID			
				3	3	sRGB (sRGB cannot be used when input mode is D-SUB[COMPONENT].)			
				4	4	HIGH ILLUMINANCE			
	WHITE BALANCE	WHBL	WR	0-2	0-2	0:THRU, 1:PRESET, 2:USER			
	PRESET	CTMP	WR	1-28	1-28	From 1: approximately 3000K to 15: approximately 10000K (500K steps), 16: approximately 5600K, 17: approximately 9300K, 18: approximately 3200K, From 19: approximately 10500K to 28: approximately 15000K (500K steps) "ERR" when WHBL is not set to 1.			
	USER	R-CONTRAST	CRTR	WR	0-256	0-256	"ERR" when WHBL is not set to 2.		
		G-CONTRAST	CRTG	WR	0-256	0-256			
		B-CONTRAST	CRTB	WR	0-256	0-256			
		R-OFFSET	OFSR	WR	-127-127	-127-127			
		G-OFFSET	OFSG	WR	-127-127	-127-127			
		B-OFFSET	OFSB	WR	-127-127	-127-127			
	COPY TO USER	CPTU	W	0	0	Copies a preset value to the user setting.			
	GAMMA	GAMM	WR	0-9	0-9	0: 1.8, 1: 2.2, 2: 2.4, 3: DICOM SIMULATION, 4:USER, 5:2.0, 6:STD, 7:LIGHT 2, 8:LIGHT 1, 9:DARK			
	FLESH TONE	FLES	WR	0-2	0-2	0: OFF, 1: LOW, 2: HIGH			
	C.M.S.-HUE	CMHR	WR	-10-10	-10-10	R			
						Y			
						G			
						C			
						B			
M									
CRST		W	1	1	Resets the hue.				
C.M.S.-SATURATION	CMSR	WR	-10-10	-10-10	R				
					Y				
					G				
					C				
					B				
					M				
	CRST	W	2	2	Resets the saturation.				
ADVANCED	AUTO	AGIN	W	1	1	When the input mode is D-SUB[RGB].	-		
	ANALOG GAIN	ANGA	WR	0-127	0-127	When the input mode is D-SUB[RGB].			
	ANALOG OFFSET	ANOF	WR	0-127	0-127	When the input mode is D-SUB[RGB].			
	NR	TDNR	WR	0-2	0-2	0: OFF, 1: LOW, 2: HIGH			
	RGB INPUT RANGE	INPR	WR	0-2	0-2	0: AUTO, 1: FULL, 2: LIMITED "ERR" when the input mode is D-SUB[COMPONENT]. When the input mode is D-SUB[RGB] the value 0 is invalid.			
	DISPLAY COLOR PATTERN	PTDF	WR	0	0	0	No pattern display.		
						1	1	White single color pattern display.	
						2	2	Red single color pattern display.	
						3	3	Green single color pattern display.	
						4	4	Blue single color pattern display.	
99	99	Red/green/blue mixed color pattern display. Set each color's level with PTDR, PTDG, PTDB.							
DISPLAY COLOR PATTERN (R)	PTDR	WR	0-255	0-255	Set the R, G, and B levels of the mixed color pattern. "ERR" when PTDF is not set to 99.				
DISPLAY COLOR PATTERN (G)	PTDG	WR	0-255	0-255					
DISPLAY COLOR PATTERN (B)	PTDB	WR	0-255	0-255					
DISPLAY COLOR PATTERN (LEVEL)	PTDL	WR	0-255	0-255	Set the white, red, green, and blue levels of the single color pattern. "ERR" when the DISPLAY COLOR PATTERN is set to a color other than white, red, green, or blue.				
RESET	ARST	W	2	2					

# Controlling the Monitor with a computer (RS-232C)

## AUDIO menu

Function	Command	Direction	Parameter	Reply	Control/Response contents	*
TREBLE	AUTR	WR	-5-5	-5-5		
BASS	AUBS	WR	-5-5	-5-5		○
BALANCE	AUBL	WR	-10-10	-10-10		
RESET	ARST	W	3			-

## SETUP menu

Function	Command	Direction	Parameter	Reply	Control/Response contents	*	
DATE/TIME SETTING	DATE	WR	AABBCCDDEE	AABBCCDDEE	AA: Year, BB: Month, CC: Day, DD: Hour, EE: Minute		
DATE DISPLAY FORMAT	DTFT	WR	0-2	0-2	0: YYYY/MM/DD, 1: MM/DD/YYYY, 2: DD/MM/YYYY YYYY: Year, MM: Month, DD: Day		
TIME DISPLAY FORMAT	TMFT	WR	0-1	0-1	0: 24-HOUR TIME, 1: 12-HOUR TIME		
SCHEDULE	SC01- SC08	WR	ABCDEFGHIJGH	ABCDEFGHIJGH	Schedule of a specified number A: Schedule 0 = Not effective, 1 = Effective B: Power 0 = OFF, 1 = ON C: Day of the week 1 0 = Only once, 1 = Every week, 2 = Every day D: Day of the week 2 0 = Sunday, 1 = Monday through 6 = Saturday, 9 = Not exist E: Day of the week 3 0 = Sunday, 1 = Monday through 6 = Saturday, 9 = Not exist F: Hour 00-23 G: Minute 00-59 H: Input 0 = Not specified, 1 = HDMI1, 2 = HDMI2, 3 = HDMI3, 4 = D-SUB, 6 = DisplayPort1, 7 = DisplayPort2, 8 = OPTION (valid when you have used the expansion slot to expand the functions)		
SCHEDULE BRIGHTNESS	SB01- SB08	WR	0-31	0-31	Screen brightness to change		
			99	99	Disable brightness setting		
LANGUAGE	LANG	WR	14	14	ENGLISH	○	
			1	1	DEUTSCH		
			2	2	FRANÇAIS		
			3	3	ITALIANO		
			4	4	ESPAÑOL		
			5	5	РУССКИЙ		
INPUT SELECT	D-SUB	SLDS	WR	0-1	0-1	0:RGB, 1:COMPONENT	
	HDMI CEC LINK	CELK	WR	0-1	0-1	0: OFF, 1: AUTO	
	AUTO POWER ON	ATPO	WR	0-1	0-1	0: OFF, 1: ON	
	HDMI AUTO VIEW (HDMI1)	HDAW	WR	0-1	0-1	0: OFF, 1: ON	
	HDMI AUTO VIEW (HDMI2)	H2AW	WR	0-1	0-1	0: OFF, 1: ON	
	HDMI AUTO VIEW (HDMI3)	H3AW	WR	0-1	0-1	0: OFF, 1: ON	
	HDMI AUTO VIEW (OPTION)	OPAW	WR	0-1	0-1	0: OFF, 1: ON (valid when you have used the expansion slot to expand the functions)	
	DisplayPort STREAM (DisplayPort1)	DPST	WR	0, 2	0, 2	0: SST1, 2: SST2	
	DisplayPort STREAM (DisplayPort2)	DPS2	WR	0-2	0-2	0: SST1, 1: MST, 2: SST2	
	HDMI MODES (HDMI1)	HD1M	WR	0-1	0-1	0: MODE1, 1: MODE2	
HDMI MODES (HDMI2)	HD2M	WR	0-1	0-1	0: MODE1, 1: MODE2		
HDMI MODES (HDMI3)	HD3M	WR	0-1	0-1	0: MODE1, 1: MODE2		
INPUT MODE NAME	DisplayPort1	INDP	WR	0-30	0-30	0: NO SETTING, 1: PC1, 2:PC2, 3: PC3, 4: TV, 5: VIDEO, 6: DVD, 7: HDD, 8: DVR, 9: BD, 10: CAMERA, 11: DOCUMENT CAMERA, 12: VIDEO CAMERA, 13: VIDEO CONFERENCE, 14: WIRELESS, 15: STB, 16: CONTROLLER, 17: COMPOSITE, 18: COMPONENT, 19: RGB, 20: INPUT1, 21: INPUT2, 22: INPUT3, 23: INPUT4, 24: INPUT5, 25: INPUT6, 26: SATELLITE, 27: CABLE, 28: CAMCORDER, 29: TABLET, 30: SURVEILLANCE CAM.	
	DisplayPort2	INP2					
	HDMI1	INH1					
	HDMI2	INH2					
	HDMI3	INH3					
Edit the input mode name	D-SUB	IND1					
	INPUT1	IN1E	WR	"xxxxxxxx xxxxxxxx"	xxxxxxxx xxxxxxxx	Input mode name (Half-width alphanumeric characters and symbols only, maximum of 18 characters)	
	INPUT2	IN2E					
	INPUT3	IN3E					
	INPUT4	IN4E					
	INPUT5	IN5E					
INPUT6	IN6E						
AUDIO SELECT	DisplayPort1	ASDI	WR	1, 3	1, 3	1: AUDIO, 3: DisplayPort	
	DisplayPort2	ASD2	WR	1, 3	1, 3	1: AUDIO, 3: DisplayPort	
	HDMI1	ASHP	WR	0-1	0-1	0: HDMI, 1: AUDIO	
	HDMI2	AH2P	WR	0-1	0-1	0: HDMI, 1: AUDIO	
	HDMI3	AH3P	WR	0-1	0-1	0: HDMI, 1: AUDIO	
OPTION (valid when you have used the expansion slot to expand the functions)	ASOP	WR		0-1	0-1	0: OPTION, 1: AUDIO	

## Controlling the Monitor with a computer (RS-232C)

Function		Command	Direction	Parameter	Reply	Control/Response contents	*
AUDIO OPTION	SPEAKER SELECT	SPSL	WR	0-1	0-1	0: Internal speaker, 1: External speaker	○
	AUDIO OUTPUT	AOUT	WR	0-2	0-2	0: VARIABLE1, 1: FIXED, 2: VARIABLE2	
	AUDIO INPUT LEVEL	AIVP	WR	0-1	0-1	0: 1.0Vrms, 1: 0.5Vrms	
	MONAURAL AUDIO	MONO	WR	0-1	0-1	0: OFF, 1: ON	
TOUCH INPUT SELECT	BOTTOM USB (Long side)	USCB	WR	0-6, 8	0-6, 8	0: INVALID, 1: BOTTOM INPUT TERM. (Long side), 2: DisplayPort1, 3: HDMI1, 4: HDMI2, 5: HDMI3, 6: D-SUB, 8: DisplayPort2	○
	SIDE USB (Short side)	USCS	WR	0-6, 8	0-6, 8	0: INVALID, 1: SIDE INPUT TERM. (Short side), 2: DisplayPort1, 3: HDMI1, 4: HDMI2, 5: HDMI3, 6: D-SUB, 8: DisplayPort2	
START INPUT MODE		SUIM	WR	1-5, 7, 10-11	1-5, 7, 10-11	1: LAST INPUT MODE, 2: DisplayPort1, 3: HDMI1, 4: HDMI2, 5: HDMI3, 7: D-SUB, 10: OPTION (valid when you have used the expansion slot to expand the functions), 11: DisplayPort2	
COMMUNICATION SETTING	RS-232C/LAN SELECT	CTLS	WR	0-1	0-1	0: RS-232C, 1: LAN	●
	BAUD RATE	BAUD	WR	0-2	0-2	0: 9600bps, 1: 19200bps, 2: 38400bps	
	Crestron Connected	CRCN	WR	0-1	0-1	0: OFF, 1: ON	○
REMOTE No.		RCNO	WR	0-9	0-9	Sets the number of the remote control unit.	

## MONITOR menu

Function		Command	Direction	Parameter	Reply	Control/Response contents	*
PORTRAIT/LANDSCAPE INSTALL		STDR	WR	0-1	0-1	0: LANDSCAPE, 1: PORTRAIT	○
HORIZONTAL INSTALLATION		MLAY	WR	0-1	0-1	0: OFF, 1: FACE UP*	
OSD H-POSITION		OSDH	WR	0-100	0-100		
OSD V-POSITION		OSDV	WR	0-100	0-100		
OPERATION MODE		FNCM	WR	0-1	0-1	0: MODE1, 1: MODE2	
POWER SAVE MODE		STBM	WR	0-1	0-1	0: OFF, 1: ON	
OFF IF NO OPERATION		ATOF	WR	0-1	0-1	0: OFF, 1: ON	
	TIME	AOFT	WR	1-12	1-12	1-12: 1-12 hours	
POWER ON DELAY		PODS	WR	0-1	0-1	0: OFF, 1: ON	
	INTERVAL	PWOD	WR	1-60	1-60	1-60: 1-60 seconds	
SELF ADJUST		AADJ	WR	0-1	0-1	0: OFF, 1: ON	
	START TIMING	AADD	WR	10-200	10-200	10: 1 second through 200: 20 seconds	
TOUCH OUTPUT INVALID DISP.	TOUCH OUTPUT INVALID ICON	TOPI	WR	0-1	0-1	0: OFF, 1: ON	
	CHANGE DISPLAY POSITION	TOIP	WR	0-3	0-3	0: UPPER RIGHT, 1: UPPER LEFT, 2: LOWER RIGHT, 3: LOWER LEFT	
TOUCH OPERATION MODE		TOMD	WR	0-1, 3	0-1, 3	0: AUTO, 1: MULTI-TOUCH MODE, 3: SINGLE-TOUCH MODE "ERR" when the touch panel is not connected.	-
TOUCH PANEL MODE		GMDP	WR	0-1	0-1	0: OFF, 1: ON (When the input mode is HDMI, D-SUB[RGB], DisplayPort, OPTION)	○
PALM CANCEL MODE		PARE	WR	0-1	0-1	0: OFF, 1: ON	

\* This monitor should not be mounted flat or used as a touch table type installation. Please consult an authorized SHARP dealer before considering any type of flat installation (when the monitor is tilted more than 20 degrees upward from the perpendicular in relation to a level surface), and find out about the mandatory flat mounting instructions.

## Controlling the Monitor with a computer (RS-232C)

### MULTI/PIP menu

Function		Command	Direction	Parameter	Reply	Control/Response contents	*
PIP MODES		MWIN	WR	0-3	0-3	0: OFF, 1: PIP, 2: PbyP, 3: PbyP2	
PIP SIZE		MPSZ	WR	1-64	1-64		
PIP POS	THE LONGEST DIRECTION	MHPS	WR	0-100	0-100		
	THE SHORTEST DIRECTION	MVPS	WR	0-100	0-100		
PIP POS LD+SD BATCH		MPOS	W	0-100,0-100		Specify the position in MPOSxxxxyy format. (xxx: Longer side, yyy: Shorter side position)	
			R		0-100,0-100	Returns a response in (xxx,yyy) format. (xxx: Longer side, yyy: Shorter side position)	
PIP BLEND		MWBL	WR	0-7	0-7		
PIP SOURCE		MWIP	WR	2	2	D-SUB[RGB]	
				3	3	D-SUB[COMPONENT]	
				10	10	HDMI1	
				13	13	HDMI2	
				14	14	DisplayPort1	
				18	18	HDMI3	
				21	21	OPTION (valid when you have used the expansion slot to expand the functions)	
				22	22	DisplayPort2	
SOUND CHANGE		MWAD	WR	1-2	1-2	1: MAIN, 2: SUB	
MAIN POS (Main screen)		MWPP	WR	0-1	0-1	0: POS1, 1: POS2	
PbyP2 POS (Sub screen)		MW2P	WR	0-2	0-2	0: POS1, 1: POS2, 2: POS3	
QUAD-SCREEN MODE		MSCS	WR	1, 4	1, 4	1: OFF, 4: ON	
SETTING INITIAL SCREEN (POSITION 1-4)		MSP1- MSP4	WR	0	0	AUTO	
				2	2	D-SUB[RGB]	
				3	3	D-SUB[COMPONENT]	
				10	10	HDMI1	
				13	13	HDMI2	
				14	14	DisplayPort1	
				18	18	HDMI3	
				21	21	OPTION (valid when you have used the expansion slot to expand the functions)	
PRIORITY: AUTO INPUT SEL.	DisplayPort1	MPDP	WR	0-10	0-10	0: Not selected by PRIORITY: AUTO INPUT SEL., 1-10: Priority setting	
	DisplayPort2	MPP2					
	HDMI1	MPH1					
	HDMI2	MPH2					
	HDMI3	MPH3					
	D-SUB	MPD1					
SAVE LAST INPUT CONFIG.		MSLI	WR	0-1	0-1	0: OFF, 1: ON	
TARGET: SOUND / INPUT SEL.		MSAO	WR	1-4	1-4	1: POS1, 2: POS2, 3: POS3, 4: POS4	
Input mode selection in quad-screen display		MSIP	WR	2	2	D-SUB[RGB]	
				3	3	D-SUB[COMPONENT]	
				10	10	HDMI1	
				13	13	HDMI2	
				14	14	DisplayPort1	
				18	18	HDMI3	
				21	21	OPTION (valid when you have used the expansion slot to expand the functions)	
				22	22	DisplayPort2	

### OTHERS menu

Function		Command	Direction	Parameter	Reply	Control/Response contents	*
POWER MANAGEMENT		PMNG	WR	0-1	0-1	0: OFF, 1: ON	
CONNECT AUTO INPUT SELECT		AICO	WR	0-1	0-1	0: OFF, 1: ON	
NO SIGNAL AUTO INPUT SEL.		AINO	WR	0-1	0-1	0: OFF, 1: ON	
AUTO INPUT SELECT PRIORITY	DisplayPort1	APDP	WR	0-10	0-10	0: Not selected by NO SIGNAL AUTO INPUT SEL., 1-10: Priority setting "ERR" when OFF is selected for NO SIGNAL AUTO INPUT SEL.. APOP will result in an error ("ERR") when an optional part that is not a target for this function is connected. All input terminals cannot be set to 0 simultaneously.	
	DisplayPort2	APP2					
	HDMI1	APH1					
	HDMI2	APH2					
	HDMI3	APH3					
	D-SUB	APD1					
LOGO SCREEN		BTSC	WR	0-1	0-1	0: OFF, 1: ON	
SCAN MODE (HDMI, D-SUB[COMPONENT], OPTION (valid when you have used the expansion slot to expand the functions))		SCAN	WR	0-1	0-1	0: MODE1, 1: MODE2	
VOLUME		VOLM	WR	0-31	0-31		
MUTE AUDIO		MUTE	WR	0-1	0-1	0: OFF, 1: ON	-
MUTE WITH FREEZE		FRAO	WR	0-1	0-1	0: OFF, 1: ON	o

## Controlling the Monitor with a computer (RS-232C)

### Initialization/Functional Restriction Setting (FUNCTION) menu

Function	Command	Direction	Parameter	Reply	Control/Response contents	*
ALL RESET	RSET	W	0-1		0: ALL RESET 1, 1: ALL RESET 2	-
ADJUSTMENT LOCK	ALCK	WR	0-2	0-2	0: OFF, 1: ON 1, 2: ON 2	●
ADJUSTMENT LOCK TARGET	ALTG	WR	0-2	0-2	0: REMOTE CONTROL, 1: MONITOR BUTTONS, 2: BOTH	○
OSD DISPLAY	LOSD	WR	0-2	0-2	0: ON 1, 1: OFF, 2: ON 2	
LED	OFLD	WR	0-1	0-1	0: ON, 1: OFF	
TEMPERATURE ALERT	TALT	WR	0-2	0-2	0: OFF, 1: OSD & LED, 2: LED	
STATUS ALERT	SALT	WR	0-2	0-2	0: OFF, 1: OSD & LED, 2: LED	
POWER BUTTON	PBTN	WR	0-1	0-1	0: MONITOR, 1: EXT. CONTROLLER	
EXTERNAL CONTROLLER INPUT	PCIP	WR	0-3, 5, 6	0-3, 5, 6	0: D-SUB, 1: DisplayPort1, 2: HDMI1, 3: HDMI2, 5: HDMI3, 6: DisplayPort2 ("ERR" when MONITOR is selected for POWER BUTTON.)	
SIGNAL RESPONSE LEVEL	HDUC	WR	1-200	1-200		

### Others

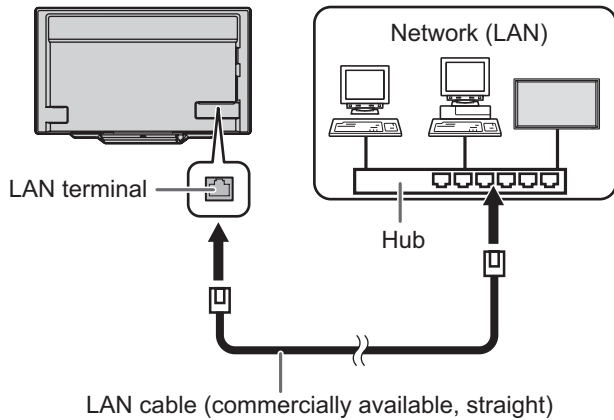
Function	Command	Direction	Parameter	Reply	Control/Response contents	*
SIZE (Screen size selection)	WIDE	WR	1-5	1-5	1: WIDE, 2: NORMAL, 3: Dot by Dot, 4: ZOOM1, 5: ZOOM2	○
INFORMATION	Model	INF1		Value		○
	Serial no.	SRNO		Value		
Temperature sensor	DSTA	R		0	Internal temperature normal	●
				1	Internal temperature abnormal has occurred and the monitor is in standby mode	
				2	Internal temperature abnormal occurred (To delete the information of temperature abnormal, turn off the main power.)	
				3	Internal temperature abnormal has occurred and backlight brightness is dimmed	
				4	Temperature sensor abnormal	
Temperature acquisition	ERRT	R		Value	Returns the temperature at the temperature sensors. Indicates a temperature sensor abnormality when "126" is returned.	○
Cause of last standby mode	STCA	W	0		Initialization	●
		R	0	No detectable error has occurred		
			1	Standby mode by POWER button or MONITOR OFF button		
			2	Main power off by the main power switch		
			3	Standby mode by RS-232C or LAN		
			4	Input signal waiting mode by No Signal		
			6	Standby mode by abnormal temperature		
			8	Standby mode by SCHEDULE setting		
			9	Standby mode by DDC/CI		
			10	Standby mode by HDMI CEC		
20	Standby mode by OFF IF NO OPERATION setting					
Touch operation valid/invalid	TPEN	WR	0-1	0-1	0: Invalid, 1: Valid "ERR" when TOUCH INPUT SELECT is set to INVALID or the touch panel is not connected.	-
FREEZE	FRMD	WR	0-1	0-1	0: FREEZE release, 1: FREEZE execute	

### Commands for setting of the GAMMA user data

Function	Command	Direction	Parameter	Reply	Control/Response contents	*
Red gamma data transfer	UGRW	W	aaxxxx ... xxxxcc (xxxx: 32 pieces)		aa: Block number xxxx: 32 pieces of user data cc: Checksum (ASCII data) of the block number and user data	○
Green gamma data transfer	UGGW	W	aa: 01-16 xxxx: 0000-1023 cc: 00-FF			
Blue gamma data transfer	UGBW	W				
Red gamma data read	UGRR	W	1-16	xxxx ... xxxx (xxxx: 32 pieces)	xxxx: User data of 32 pieces	○
Green gamma data read	UGGR	W	1-16			
Blue gamma data read	UGBR	W	1-16			
User data initialize	UGRS	W	0		Initialize the user data.	
User data save	UGSV	W	0		Save the user data in the monitor.	

# Controlling the Monitor with a computer (LAN)

Your monitor can be connected to a LAN allowing you to control it from a computer on the LAN. You can also configure the monitor to send e-mail notification when it has a problem. The connection requires a commercially available LAN cable (UTP cable, Category 5, straight through).



## TIPS

- You must assign an IP address to the monitor by following the procedures in “Settings to connect to a LAN”. (See the description on the right.)
- Your computer must be installed with the web browser.
- When POWER SAVE MODE is set to ON, control is not possible in standby mode.
- To control the monitor via LAN, set RS-232C/LAN SELECT to LAN. (See page 35.)
- You cannot use RS-232C and LAN control simultaneously.

## Initializing personal information

- Personal information such as e-mail addresses can be registered in the monitor. Before transferring or disposing of the monitor, initialize all settings by selecting ALL RESET 1. (See page 43.) Note that ALL RESET 2 will not initialize e-mail addresses and other settings.

## Settings to connect to a LAN

Set the monitor's IP address and subnet mask to match the settings of your LAN.

These settings can be made on either the monitor or a computer connected to the monitor.

The settings depend on the configuration of your LAN. Ask your LAN administrator for details.

### ■ To set on the monitor

Set RS-232C/LAN SELECT of COMMUNICATION SETTING on the SETUP menu to LAN, and then set the LAN SETUP options. (See page 35.)

After setting each item, select SET and press the ENTER button.

#### DHCP CLIENT

If your LAN has a DHCP server and you wish to obtain an address automatically, change this setting to ON.

To set the address manually, set this to OFF.

#### IP ADDRESS

If the DHCP CLIENT is set to OFF, specify an IP address. Press the ◀ or ▶ button to select the items, and enter the values with the numeric input buttons (0 to 9).

You can also change the values with the ▲ or ▼ button.

#### SUBNET MASK

If the DHCP CLIENT is set to OFF, specify the subnet mask. Press the ◀ or ▶ button to select the items, and enter the values with the numeric input buttons (0 to 9).

You can also change the values with the ▲ or ▼ button.

#### DEFAULT GATEWAY

If the DHCP CLIENT is set to OFF, specify the default gateway.

If you are not using a default gateway, specify “000.000.000.000”.

Press the ◀ or ▶ button to select the items, and enter the values with the numeric input buttons (0 to 9).

You can also change the values with the ▲ or ▼ button.

#### RESET

Resets the values of the LAN settings to the factory preset values.

Select ON and then press the ENTER button.

## ■ To set from a computer

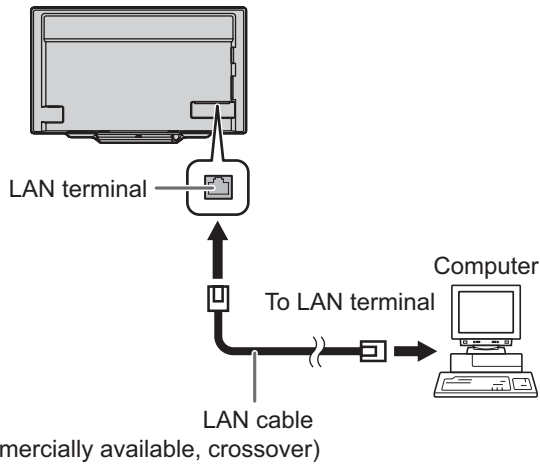
When the monitor is connected to a computer, LAN settings can be configured via computer.

### Set up process

- (1) Connect your monitor to a computer
- (2) Specify the computer's IP address
- (3) Configure the monitor's LAN settings

#### (1) Connecting your monitor to a computer

Connect a commercially available crossover LAN cable (UPT cable, Category 5) to the LAN port on the computer and this monitor.



#### (2) Specifying the computer's IP address

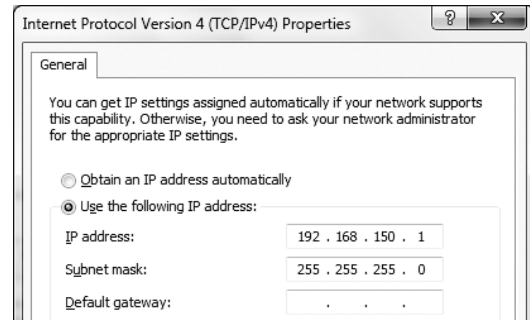
To configure the monitor's LAN settings, you must temporarily change the settings on the computer.

This explanation is based on Windows 7.

1. Log on to the computer with an administrator account.
2. Click [Start], and then click "Control Panel".
3. Click "View network status and tasks" in "Network and Internet".  
In "Classic View", click "Network and Sharing Center".
4. Click "Local Area Connection" and then "Properties".
5. Click "Internet Protocol Version 4 (TCP/IPv4)" and then "Properties".
6. Make a note of the current IP address, subnet mask, and default gateway settings.  
Make sure you write this information now as you will be changing the IP address, subnet mask, and default gateway settings back to these settings afterwards.

7. Temporarily change the IP address and subnet mask.  
To access the monitor as it is shipped from the factory, set as follows.

- IP Address : 192.168.150.1
- Subnet Mask : 255.255.255.0
- Default Gateway : (leave blank)



8. Click [OK] and then reboot the computer.

#### TIPS

- This monitor is factory preset as shown below.  
(When DHCP CLIENT is set to OFF)  
IP Address : 192.168.150.2  
Subnet Mask : 255.255.255.0  
Default Gateway : 0.0.0.0

#### (3) Configuring the monitor's LAN settings

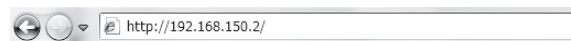
Access the monitor using the web browser.

##### Controlling the monitor

1. Turn the power ON to the monitor.
2. Set RS-232C/LAN SELECT of COMMUNICATION SETTING on the SETUP menu to LAN.
3. Set DHCP CLIENT of LAN SETUP of COMMUNICATION SETTING on the SETUP menu to OFF.

##### Computer operation

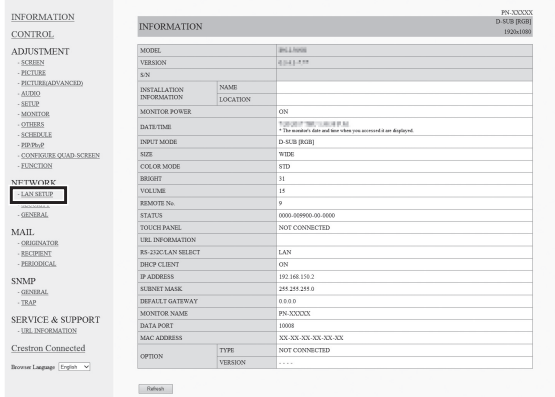
4. Launch the web browser, in the "Address" box type "http://192.168.150.2/" and press the Enter key.



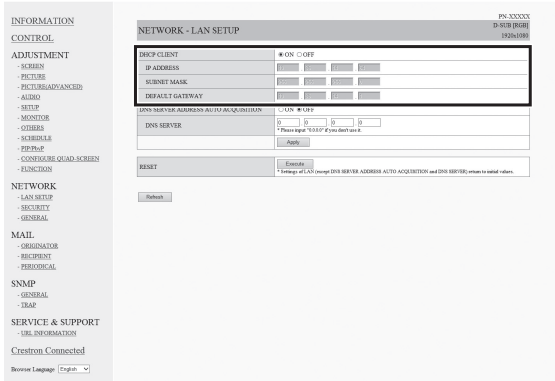
5. Enter the USER NAME and PASSWORD.  
The following values are set in the initial settings.  
USER NAME: admin, PASSWORD: admin  
\* To enable security on the monitor, change the user name and password. (See page 58.)

# Controlling the Monitor with a computer (LAN)

6. Click on "LAN SETUP" under NETWORK.



7. Specify the "DHCP CLIENT", "IP ADDRESS", etc.



## DHCP CLIENT

If your LAN has a DHCP server and you wish to obtain an address automatically, change this setting to ON. To set the address manually, set this to OFF.

## IP ADDRESS

If the DHCP CLIENT is set to OFF, specify an IP address.

## SUBNET MASK

If the DHCP CLIENT is set to OFF, specify the subnet mask.

## DEFAULT GATEWAY

If the DHCP CLIENT is set to OFF, specify the default gateway. If you are not using a default gateway, specify "0.0.0.0".

- When the setting is changed, click [Apply].
- Check the message and click [OK].
- Exit the web browser.
- Restore the computer's IP address jotted in Step 6, "(2) Specifying the computer's IP address".
- Connect the monitor and the computer to the LAN.

## Caution

- Wait 10 seconds after clicking [OK] before proceeding.
- When operating using the remote control unit or similar, click [Refresh].

# Controlling with a computer

## Basic operation

You use the web browser on a computer on the LAN to control the monitor.

- Launch the web browser on the computer.
- In the "Address" box, type "http://" followed by your monitor's IP address followed by "/", then press the Enter key. You can confirm the IP address with the INFORMATION function.



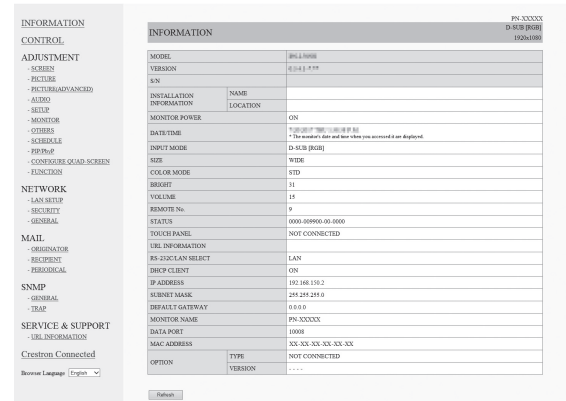
When prompted to enter a USER NAME and PASSWORD, type the user name and password that you specified in the SECURITY settings (see page 58), and click [OK].

The following values are set in the initial settings.

USER NAME: admin, PASSWORD: admin

\* To enable security on the monitor, change the user name and password. (See page 58.)

- You can check, control, and change the monitor's status and settings by clicking the menu items on the left side of the screen.



- If you see an [Apply] button next to a setting, click it after you change that setting.

## TIPS

- See pages 57 to 61 for details on each setting.
- If you click [Refresh] before the screen finishes updating the current display, the "Server Busy Error" will appear. Wait for a moment before operating your monitor again.
- You cannot operate the monitor while it is warming up.
- If "DHCP CLIENT" is set to "ON", press the INFORMATION button on the remote control unit two times and then check the monitor's IP address.



## ■ INFORMATION

Information about this monitor appears.

INFORMATION		PN: XXXXX D: SUB (RGB) R: 1024x768
<b>CONTROL</b>		
<b>ADJUSTMENT</b>		
- SCREEN		
- PICTURE		
- PICTURE/ADVANCED		
- AUDIO		
- SETUP		
- MONITOR		
- OTHERS		
- SCHEDULE		
- PIP/PbP		
- CONFIGURE QUAD-SCREEN		
- FUNCTION		
<b>NETWORK</b>		
- LAN SETUP		
- SECURITY		
- GENERAL		
<b>MAIL</b>		
- ORIGINATOR		
- RECIPIENT		
- PERIODICAL		
<b>SNMP</b>		
- GENERAL		
- TRAP		
<b>SERVICE &amp; SUPPORT</b>		
- URL INFORMATION		
Crestion Connected		
Revised Language [English]		

INFORMATION		PN: XXXXX D: SUB (RGB) R: 1024x768
MODEL	PN-L1098	
VERSION	02.01.17.01	
SN		
INSTALLATION INFORMATION	NAME	
	LOCATION	
MONITOR POWER	ON	
DATE TIME	* The monitor does not have a time zone or a DST setting.	
INPUT MODE	D: SUB (RGB)	
SIZE	WIDE	
COLOR MODE	STD	
BRIGHT	14	
VOLUME	15	
REMOTE No.	9	
STATUS	0000-000000-00-0000	
TOUCH PANEL	NOT CONNECTED	
URL INFORMATION		
RS-232C LAN SELECT	LAN	
DHCP CLIENT	ON	
IP ADDRESS	192.168.1.10.2	
DEFAULT GATEWAY	255.255.255.0	
DEFAULT GATEWAY	0.0.0.0	
MONITOR NAME	PN-XXXXX	
DATA PORT	10000	
MAC ADDRESS	XX-XX-XX-XX-XX-XX	
OPTION	TYPE	NOT CONNECTED
	VERSION	---

## ■ CONTROL

You can control the operations corresponding to the buttons (POWER button, INPUT button, SIZE button, etc.) on the remote control unit. (See page 26.)

INFORMATION		PN: XXXXX D: SUB (RGB) R: 1024x768
<b>CONTROL</b>		
<b>ADJUSTMENT</b>		
- SCREEN		
- PICTURE		
- PICTURE/ADVANCED		
- AUDIO		
- SETUP		
- MONITOR		
- OTHERS		
- SCHEDULE		
- PIP/PbP		
- CONFIGURE QUAD-SCREEN		
- FUNCTION		
<b>NETWORK</b>		
- LAN SETUP		
- SECURITY		
- GENERAL		
<b>MAIL</b>		
- ORIGINATOR		
- RECIPIENT		
- PERIODICAL		
<b>SNMP</b>		
- GENERAL		
- TRAP		
<b>SERVICE &amp; SUPPORT</b>		
- URL INFORMATION		
Crestion Connected		
Revised Language [English]		

CONTROL		PN: XXXXX D: SUB (RGB) R: 1024x768
MONITOR POWER	<input checked="" type="radio"/> ON <input type="radio"/> OFF	
INPUT MODE	D: SUB	
SIZE	WIDE	
COLOR MODE	STD	
BRIGHT	14	
VOLUME	15	
MUTE	<input type="radio"/> ON <input checked="" type="radio"/> OFF	
FREEZE	<input type="radio"/> ON <input checked="" type="radio"/> OFF	

\* Please click [Refresh] button to check the setting of each item after you change it.

## ■ ADJUSTMENT

You can adjust these settings which are also available on the monitor's menu.

- SCREEN (See page 31.)
- PICTURE (See page 32.)
- PICTURE (ADVANCED) (See page 33.)
- AUDIO (See page 33.)
- SETUP (See page 34.)
- MONITOR (See page 36.)
- OTHERS (See page 38.)
- SCHEDULE (See page 40.)
- PIP/PbP (See page 37.)
- CONFIGURE QUAD-SCREEN (See page 37.)
- FUNCTION (See page 43.)

INFORMATION		PN: XXXXX D: SUB (RGB) R: 1024x768
<b>CONTROL</b>		
<b>ADJUSTMENT</b>		
- SCREEN		
- PICTURE		
- PICTURE/ADVANCED		
- AUDIO		
- SETUP		
- MONITOR		
- OTHERS		
- SCHEDULE		
- PIP/PbP		
- CONFIGURE QUAD-SCREEN		
- FUNCTION		
<b>NETWORK</b>		
- LAN SETUP		
- SECURITY		
- GENERAL		
<b>MAIL</b>		
- ORIGINATOR		
- RECIPIENT		
- PERIODICAL		
<b>SNMP</b>		
- GENERAL		
- TRAP		
<b>SERVICE &amp; SUPPORT</b>		
- URL INFORMATION		
Crestion Connected		
Revised Language [English]		

ADJUSTMENT - SCREEN		PN: XXXXX D: SUB (RGB) R: 1024x768
AUTO	<input type="checkbox"/> On <input checked="" type="checkbox"/> Off	
CLOCK	6:00	
PREBASE	15	
R: P.O.P	10%	
V: P.O.P	14	
R: SIZE	14	
V: SIZE	14	
RESOLUTION SETTING	H: RESOLUTION 1024 V: RESOLUTION 768	
INPUT SIGNAL	480 LINES 768 LINES 1080 LINES ZOOM& SPECIAL SETTING <input type="radio"/> ON <input checked="" type="radio"/> OFF	
RESET	<input type="checkbox"/> On <input checked="" type="checkbox"/> Off	

\* Please click [Refresh] button to check the setting of each item after you change it.

## TIPS

- After changing DISPLAY COLOR PATTERN to OFF, click [Refresh] to correctly retrieve the status of the monitor.

## TIPS

- In standby mode, Power ON is the operation available.

# Controlling the Monitor with a computer (LAN)

## ■ NETWORK (LAN SETUP)

This screen allows you to set the settings necessary when the monitor is connected to a LAN.

### DHCP CLIENT

If your LAN has a DHCP server and you wish to obtain an address automatically, change this setting to ON. To set the address manually, set this to OFF.

### IP ADDRESS

If the DHCP CLIENT is set to OFF, specify an IP address.

### SUBNET MASK

If the DHCP CLIENT is set to OFF, specify the subnet mask.

### DEFAULT GATEWAY

If the DHCP CLIENT is set to OFF, specify the default gateway. If you are not using a default gateway, specify "0.0.0.0".

### DNS SERVER ADDRESS AUTO ACQUISITION

If the DHCP CLIENT is set to ON, specify whether or not to automatically obtain the DNS server address.

### DNS SERVER

Specify the DNS server address if the DHCP CLIENT is set to OFF or the DNS SERVER ADDRESS AUTO ACQUISITION is set to OFF.

If you are not using a DNS server, specify "0.0.0.0".

### RESET

Clicking [Execute] returns all of the LAN SETUP settings to the factory-preset values except for the DNS SERVER ADDRESS AUTO ACQUISITION and DNS SERVER settings.

## ■ NETWORK (SECURITY)

This screen allows you to specify the security-related settings.

### USER NAME / PASSWORD

Sets up a user name and password to restrict access to this monitor.

The following values are set in the initial settings.

USER NAME: admin, PASSWORD: admin

\* To enable security on the monitor, change the user name and password.

After entering a user name and password, click [Apply].

### USE FOR Telnet CONNECTION

Sets whether to use a user name and password when connecting over TELNET.

### ACCEPT IP ADDRESS

You can limit access to this monitor by registering IP addresses of computers that should have access. To limit access, specify the option "From only specific IP addresses". Otherwise, to allow access from any computer, specify "All IP Addresses".

### IP ADDRESS 1 to 3

If "ACCEPT IP ADDRESS" is set to "From only specific IP addresses", enter the IP addresses that you want to allow.

### TIPS

- The USER NAME and PASSWORD can be up to 8 alphanumeric characters (hyphens and underscores allowed).
- To cancel the user name and/or password after it has been set, make the box empty and click [Apply].

## ■ NETWORK (GENERAL)

This screen allows you to specify the general LAN settings.

### MONITOR NAME

Specify a name for this monitor as it should appear on the web browser screen.

### AUTO LOGOUT TIME

Specify the time (in minutes) to elapse before automatically disconnecting this monitor from the network. Specify in minutes from 1 to 65535. A value of '0' will disable this function.

### DATA PORT

Specify the TCP port number to use for exchanging data with the monitor. Specify a value from 1025 to 65535.

### SEARCH PORT

Specify the port number to use when searching for this monitor. Specify a value from 1025 to 65535.

### INSTALLATION INFORMATION (NAME/LOCATION)

Specify the information to display for this monitor in the web browser window.

### LINK MODE

Selects the link speed and duplex. Use AUTO normally.

### TIPS

- The MONITOR NAME can be up to 16 alphanumeric characters or symbols.
- Enter up to 50 characters in the NAME field in the INSTALLATION INFORMATION.
- Enter up to 100 characters in the LOCATION field in the INSTALLATION INFORMATION.

## ■ MAIL (ORIGINATOR)

This screen allows you to configure the e-mail sent periodically or when the monitor has an error. The settings depend on the configuration of your LAN. Ask your LAN administrator for details.

### SMTP SERVER

Specify the SMTP server address for sending e-mail. \* When using a domain name, make sure to specify the DNS SERVER as well. (See page 58.)

### SMTP PORT

If the "AUTHENTICATION" is "SMTP-AUTH", specify the port number.

### ORIGINATOR E-MAIL ADDRESS

Specify the e-mail address for this monitor. This address becomes the e-mail address of the originator.

### ORIGINATOR NAME

Specify the name for the originator. This name appears in the "Originator Name" field of the e-mail.

### AUTHENTICATION

Specify the authentication method to use when sending e-mail.

### POP SERVER

If the "AUTHENTICATION" is "POP before SMTP", specify the POP server address.

### ACCOUNT NAME / PASSWORD

If the "AUTHENTICATION" is "POP before SMTP" or "SMTP-AUTH", specify the account name and password to connect to the SMTP server.

### TIPS

- You can enter up to 64 alphanumeric characters or symbols for the ORIGINATOR E-MAIL ADDRESS, ORIGINATOR NAME, ACCOUNT NAME, and PASSWORD.
- The SMTP SERVER and POP SERVER can be up to 64 characters. The following characters can be used: a-z, A-Z, 0-9, - , .

# Controlling the Monitor with a computer (LAN)

## MAIL (RECIPIENT)

This screen allows you to specify the recipients of the e-mail sent periodically or when the monitor has an error.

No.	RECIPIENT E-MAIL ADDRESSES *MAX 64 characters	PERIODICAL	TEMPERATURE	HARDWARE	CONFIRMATION
1		<input type="checkbox"/>	<input type="checkbox"/>	<input type="checkbox"/>	<input type="button" value="Set"/>
2		<input type="checkbox"/>	<input type="checkbox"/>	<input type="checkbox"/>	<input type="button" value="Set"/>
3		<input type="checkbox"/>	<input type="checkbox"/>	<input type="checkbox"/>	<input type="button" value="Set"/>

Attach the log file to a TEMPERATURE/HARDWARE error e-mail  
\*attach the log file to a PERIODICAL report e-mail

E-MAIL TRANSMISSION ERROR REPORT

DATE/TIME	DESTINATION	RECIPIENT E-MAIL ADDRESS
	No. 1	
CONDITION	PERIODICAL	
<input type="button" value="Show"/>		

## MAIL (PERIODICAL)

When PERIODICAL for CONDITION of MAIL (RECIPIENT) is checked, set the date and time to send the mail.

MAIL - PERIODICAL

SUN  MON  TUE  WED  THU  FRI  SAT  
\*Please check the day of the week sending e-mail

TIME

1:00:00:00  
2:00:00:00  
3:00:00:00  
4:00:00:00  
\*Not working on some

E-MAIL TRANSMISSION ERROR REPORT

DATE/TIME	DESTINATION	RECIPIENT E-MAIL ADDRESS
	No. 1	
CONDITION	PERIODICAL	
<input type="button" value="Show"/>		

### RECIPIENT E-MAIL ADDRESSES

Specify the e-mail addresses to send error notification e-mail to.

### CONDITION

Specify the conditions to send mails.  
When you check PERIODICAL, specify the date and time to send the mails in the PERIODICAL setting.

### CONFIRMATION

Sends test e-mail.  
This allows you to confirm that the e-mail settings are configured properly.

### Attach the log file to a TEMPERATURE/HARDWARE error e-mail.

When this option is checked, a log is added to the mail which notifies a temperature or status error.

### E-MAIL TRANSMISSION ERROR REPORT

A report of the latest e-mail transmission errors will be displayed.  
The error report will be displayed when an e-mail transmission error occurs.  
Also, the e-mail transmission errors will be cleared when ALL RESET 1 is executed. (See page 43.)

### TIPS

- The RECIPIENT E-MAIL ADDRESSES can be up to 64 alphanumeric characters or symbols.

### DAY OF THE WEEK

Specify the day of the week to send the periodical mails.

### TIME

Specify the time of the day to send the periodical mails.

### Caution

- Do not turn off the main power when you set to send the periodical mails.
- Specify the correct date and time. (See page 34.)  
If the date and time settings are incorrect, the periodical mail is not sent properly.
- Regularly confirm that the specified date and time is correct.

## ■SNMP

You can configure settings related to SNMP.

### SNMP SETTING

Set whether to enable or disable SNMP.

### VERSION

Set the version of the SNMP to be supported.

### COMMUNITY NAME 1 to 3

Set the name of the community required for the access.

### USER 1 to 3

Set the user name, password, authentication method and other options required for access.

### TRAP SETTING

Set whether to enable or disable the trap function. When this function is enabled, a trap will be sent when the monitor is turned on. A test transmission of a trap can be performed in "Test".

### TRAP SETTING OF AUTHENTICATION ERROR

Set whether the trap function sends a notification when authentication fails.

### TRAP ADDRESS & PORT

Set the destination address and port number of the notification sent by the trap function.

### ! Caution

- After you set SNMP, click [Switch the main power of monitor off and on now.] or turn off the monitor and then turn it on again with the main power switch. When the monitor restarts, wait about 30 seconds and then start the next operation.
- If the IP address is changed while the SNMP function is operational, turn off the monitor and then turn it on again with the main power switch.

## TIPS

- Depending on the SNMP settings, a short delay may occur before the SNMP is usable. (About 5 minutes)
- Up to 16 alphanumeric letters and symbols can be used for the community name, user name and password.

## ■SERVICE & SUPPORT (URL INFORMATION)

You can display a specific URL in the URL INFORMATION field on the INFORMATION screen when an error occurs in the monitor. (See page 57.)

### URL INFORMATION

Enter the URL to display on the INFORMATION screen when an error occurs on the monitor.

Up to 64 alphanumeric characters or symbols can be used.

### CONDITION

Specify the condition to display the URL.

### CONFIRMATION

The home page of the specified URL is displayed.

You can check whether the URL you entered is correct.

## TIPS

- It is also possible to specify the message text, such as the name of a contact or a telephone number, to be displayed instead of the linked URL.

# Controlling the Monitor with a computer (LAN)

## ■Crestron Connected

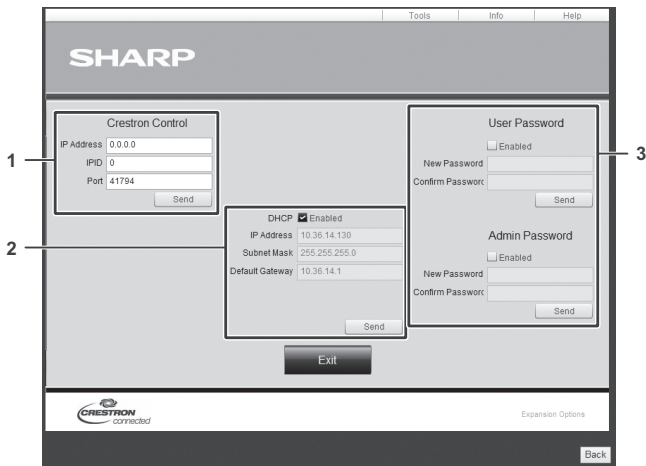
Display the Crestron Connected Control Menu.

### Control Menu



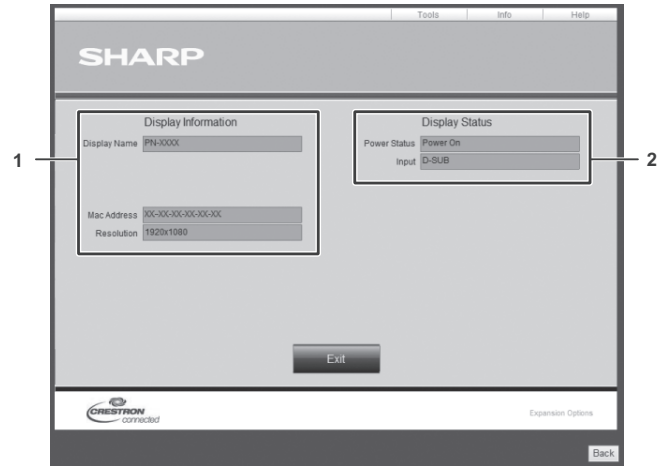
1. Operate below functions.
  - Power..... Turn the power ON/OFF.
  - Mute..... Turns off the volume temporarily.
  - Vol-/Vol+ .... Adjust the volume of the sound.
2. Change the input mode.
3. Operate below functions.
  - Contrast ..... Adjusts the CONTRAST.
  - Black Level ... Adjusts the BLACK LEVEL.
  - Colors ..... Adjusts the COLORS.
  - Sharpness..... Adjusts the SHARPNESS.
4. Operates the menu screen for the monitor.
5. Switches the pages to Tools, Info, Help tab.

### Tools



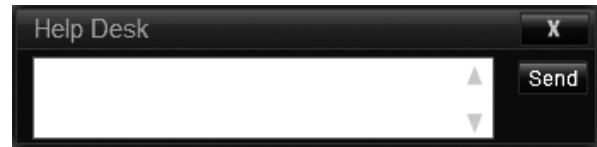
1. Setting for Crestron Control.
2. Setting for monitor network.
  - DHCP
  - IP Address
  - Subnet Mask
  - Default Gateway
3. Security Setting.  
Sets the password for the user and administrators rights on Control Menu.

### Info



1. Display below information.
  - Display Name
  - Mac Address
  - Resolution
2. Display below status.
  - Power Status
  - Input

### Help



Sends or receives messages to the administrators who uses "Crestron Connected".

**[Advanced operation]****Command-based control**

You can control the monitor using RS-232C commands (see page 47) via terminal software and other appropriate applications.

In order to use this function, enable a connection to the monitor through the web browser.

Read the manual for the terminal software for detailed instructions.

**(1) Connect the computer to the monitor.**

1. Specify the IP address and data port number and connect the computer to the monitor.  
When connection has been established successfully, [Login:] is returned as response.
2. Send the user name set in the SECURITY settings.  
(See page 58.)
  - Send [user name] + [□].
  - If the user name is not set or if USE FOR Telnet CONNECTION is set to OFF, send [□].
  - When the transmission is successful, [□Password:] is returned as response.
3. Send the password set in the SECURITY settings. (See page 58.)
  - Send [password] + [□].
  - If the password is not set or if USE FOR Telnet CONNECTION is set to OFF, send [□].
  - When the transmission is successful, [OK □] is returned as response.

**(2) Send commands to control the monitor.**

- The commands used are the same as those for RS-232C. Refer to the communication procedure (see page 44) for operation.
- Usable commands are provided in the RS-232C command table. (See page 47.)

**(3) Disconnect the connection with the monitor and quit the function.**

1. Send [BYE□].  
When the transmission is successful, [goodbye] is returned and the connection is disconnected.

**TIPS**

- Connection is automatically disconnected when the time specified in AUTO LOGOUT TIME elapses over a no-communication period.

# Troubleshooting

If you are experiencing any problem with your display, before calling for service, please review the following troubleshooting tips.

## **There is no picture or sound.**

- The power LED is off.
  - Is power supplied to this monitor?
  - Is the power cord disconnected? (See page 14.)
  - Is the main power switch off? (See page 17.)
- The power LED lights orange.
  - This monitor is in standby mode. Turn on the power. (See page 17.)
- The power LED flashes blue.
  - There is no input signal.
  - Is an input mode selected that is appropriate for the input terminal to which the cable is connected? (See pages 25 and 27.)
  - If any external equipment is connected, make sure the equipment is operating (playing back).

## **Remote control does not work.**

- Are the batteries inserted with polarity (+,-) aligned? (See page 15.)
- Are the batteries exhausted?
- Point the remote control unit toward the monitor's remote control sensor. (See page 15.)
- Is the menu display hidden or is operation disabled? (See page 43.)
- Do the remote control numbers on the remote control unit and on the monitor match?  
Check the numbers on INFORMATION. (See page 41.)

## **The remote control unit's buttons for operating the HDMI-connected device do not work.**

- Is HDMI CEC LINK set to AUTO under INPUT SELECT on the SETUP menu?
- Switch to a different input mode, and then try switching the input mode back to HDMI.

## **Sound from left and right speakers is reversed.**

### **Sound is heard from only one side.**

- Are audio cables connected properly? (See pages 12 and 13.)
- Make sure audio cables for external speakers are connected properly: left and right cables may be reversed or one of the two cables may not be connected. (See page 13.)
- Check the setting of BALANCE for AUDIO menu. (See page 33.)

## **There is a picture but no sound.**

- Is the sound muted?
- Make sure the volume is not set to minimum.
- Are audio cables connected properly?
- Is the setting of AUDIO SELECT on the SETUP menu correct? (See page 34.)
- Is the setting for SPEAKER SELECT of AUDIO OPTION on the SETUP menu correct? (See page 35.)

## **Unstable video.**

- The signal may be incompatible.
- Try the automatic screen adjustment when D-SUB[RGB] is used.
- If the top and bottom of the image are not horizontally aligned, set TOUCH PANEL MODE on the MONITOR menu to OFF.

## **The video from the HDMI input terminal does not appear properly.**

- Does the HDMI cable support 4K, and is it HDMI standard compliant? The monitor will not work with cables that are not standard compliant.
- Is the input signal compatible with this monitor? (See pages 68 and 69.)
- If the connected device does not support 4K, set HDMI MODES to MODE2.

## **The video from D-sub input terminal does not appear correctly.**

- Is the setting for D-SUB of INPUT SELECT on the SETUP menu correct? (See page 34.)
- Is the input signal compatible with this monitor? (See pages 68 and 69.)

## **The video from DisplayPort input terminal does not appear correctly.**

- Is the input signal compatible with this monitor? (See page 68.)
- Does the DisplayPort cable support 4K, and is it DisplayPort standard compliant? The monitor will not work with cables that are not standard compliant.
- Restart the monitor and your computer.
- Does the video card support DisplayPort1.2?  
If it does not support DisplayPort1.2, set DisplayPort STREAM to SST1.
- Does the video card support multi-stream?  
If it does not support multi-stream, multi-stream cannot be used even if DisplayPort STREAM is set to MST.
- The DisplayPort1 input terminal does not support multi-stream.  
To use multi-stream, use the DisplayPort2 input terminal and set DisplayPort STREAM to MST.

## **Control buttons do not work.**

### **There is no picture.**

- Load noises from outside may be interfering with normal operation. Turn off the main power and turn it on after waiting at least 5 seconds, and then check the operation.

### **The input mode changes automatically.**

- When CONNECT AUTO INPUT SELECT is ON, the input mode automatically changes to that terminal when a video signal is input into the input terminal.  
For this reason, the input mode may change when the computer wakes up from system standby.
- When the NO SIGNAL AUTO INPUT SEL. is ON and no signal is present in a selected input mode, the monitor automatically changes the selected mode to a mode where a video signal is present.  
The input mode may change in the following cases:
  - When a computer is in standby mode.
  - When video play is stopped with a playback device.



### The touch panel does not respond.

- Is the USB cable connected properly? (Touch pen Management Tool Operation Manual)  
This monitor has 2 USB ports (for touch panel). The USB port (for touch panel) depends on the terminal to which the computer's video signal cable is connected. (See pages 13 and 35.)
- Has Touch pen Management Tool been installed? (Touch pen Management Tool Operation Manual)
- Has the pen tip of the touch pen become worn? Replace the pen tip. (See page 21.)
- Is the battery inserted in the wrong orientation (+, -) in the touch pen? (See page 19.)
- Is the touch pen battery exhausted?
- Are touch pens that are supplied touch pens or optional PN-ZL06 used?
- If your finger is too dry, the screen may not respond.
- Is there anything attached to the screen?  
Something attached to the screen may prevent correct operation.
- Do not touch the screen when the monitor power is turned on, it will lead to a malfunction. When this occurs, turn the monitor power off and then on.

### Power LED illuminates in blue and orange alternately. "STATUS [xxxx]" appears in the corner of the screen.

- Hardware has a problem. Turn off the monitor and request repair from your SHARP dealer.  
(When STATUS ALERT is set to OSD & LED. This varies depending on the setting.)

### When "AUTO DIMMING" is displayed.

- When the internal temperature of the monitor rises excessively, the brightness of the backlight automatically decreases in order to prevent a further temperature rise. If you attempt to adjust the brightness while the monitor is in this state, "AUTO DIMMING" is displayed and you cannot change the brightness.
- Remove the cause of the excessive temperature rise.

### The monitor makes a cracking sound.

- You may occasionally hear a cracking sound from the monitor. This happens when the cabinet slightly expands and contracts according to change in temperature. This does not affect the monitor's performance.

### The Power LED is flashing in orange and blue alternately. When "TEMPERATURE" is displayed in the corner of the screen.

- When the internal temperature of the monitor rises excessively, the brightness of the backlight decreases automatically in order to prevent high-temperature-related problems. When this occurs, "TEMPERATURE" is displayed on the screen and the Power LED flashes orange and blue alternately. (When TEMPERATURE ALERT is set to OSD & LED. This varies depending on the setting.)
- If the internal temperature rises further, the monitor automatically enters standby mode. (The Power LED continues flashing orange and blue alternately.)
- Remove the cause of the excessive temperature rise.
  - If the monitor enters standby mode due to a rise in temperature, to return to normal display, turn the power switch off and then back on again. The monitor, however, will enter standby mode again if the cause of the temperature rise is not eliminated. (See page 7.)
  - Check whether the monitor is placed at a location where a quick rise in temperature is likely. Internal temperature rises quickly if the vents on the monitor are blocked.
  - Internal temperature rises quickly if dust accumulates inside the monitor or around the vents. Remove dust if possible. Ask SHARP dealer about removing internal dust.

# Specifications

## ■Product Specifications

Model	PN-80TH5	
LCD component	80" Class [80-1/2 inch (204.4cm) diagonal] TFT LCD	
Max. resolution	(pixels)	3840 x 2160
Max. colors	Approx. 1.06 billion colors	
Pixel pitch	0.464 mm (H) × 0.464 mm (V)	
Brightness (typical)	300 cd/m <sup>2</sup> * <sup>1</sup>	
Contrast ratio (typical)	4000: 1	
Viewing angle	176° right/left/up/down (contrast ratio ≥ 10)	
Screen active area	inch (mm)	70-1/8 (W) x 39-7/16 (H) (1781.76 x 1002.24)
Computer input signal	Analog RGB (0.7 Vp-p) [75 Ω], DisplayPort 1.2a	
Sync signal	Horizontal/vertical separate (TTL: positive/negative), Sync-on-green* <sup>2</sup> , Composite sync (TTL: positive/negative)* <sup>2</sup>	
Plug and play	VESA DDC2B	
Power management	VESA DPMS	
Input terminals	Video	HDMI x 3 Mini D-sub 15 pin, 3 rows x 1 DisplayPort x 2
	Audio	3.5 mm mini stereo jack x 1
	Serial (RS-232C)	3.5 mm mini stereo jack x 1
Output terminals	Video	DisplayPort x 1
	Audio	3.5 mm mini stereo jack x 1
LAN terminal	10 BASE-T/100 BASE-TX	
Speaker output (internal/external)	10 W + 10 W/10 W + 10 W 6 Ω	
Touch Panel	Detection method	Capacitive type
	Computer connector	USB (2.0 compliant) (Type B) x 2
Touch pen	Wireless communication method (2.4GHz, Bluetooth Low Energy, FHSS method)	
	Touch pen adapter port	USB (2.0 compliant) (Type A)
Expansion slot	13 V, 2.4 A (power supplied when expanding the functions with an optional part)	
Power requirement	AC 100 V - 240 V, 3.7 A, 50/60 Hz	
Operating temperature* <sup>3</sup> * <sup>4</sup>	41°F to 95°F (5°C to 35°C)	
Operating humidity* <sup>4</sup>	20% to 80% (no condensation)	
Power consumption (Input signal waiting mode* <sup>5</sup> /standby mode* <sup>6</sup> )	325 W (7.0 W / 0.5 W)	
Dimensions (excluding protrusions)	inch (mm)	Approx. 73-3/8 (W) x 3-7/8 (D) x 42-15/16 (H) (1863 x 98 x 1090)
Weight	lbs. (kg)	Approx. 160.9 (73)

\*1 Brightness will depend on input mode and other picture settings. Brightness level will decrease over time. Due to the nature of the equipment, it is not possible to precisely maintain a constant level of brightness.

\*2 D-sub input terminal only.

\*3 When using this monitor laying flat on a surface (when the monitor is tilted more than 20 degrees upward from the perpendicular in relation to a level surface), use this monitor at the ambient temperature between 41°F (5°C) and 86°F (30°C).

Temperature condition may change when using the monitor together with the optional equipments recommended by SHARP. In such cases, please check the temperature condition specified by the optional equipments.

\* This monitor should not be mounted flat or used as a touch table type installation. Please consult an authorized SHARP dealer before considering any type of flat installation (when the monitor is tilted more than 20 degrees upward from the perpendicular in relation to a level surface), and find out about the mandatory flat mounting instructions.

\*4 In addition, check the requirements of the computer and other devices to be connected, and make sure that all requirements are satisfied.

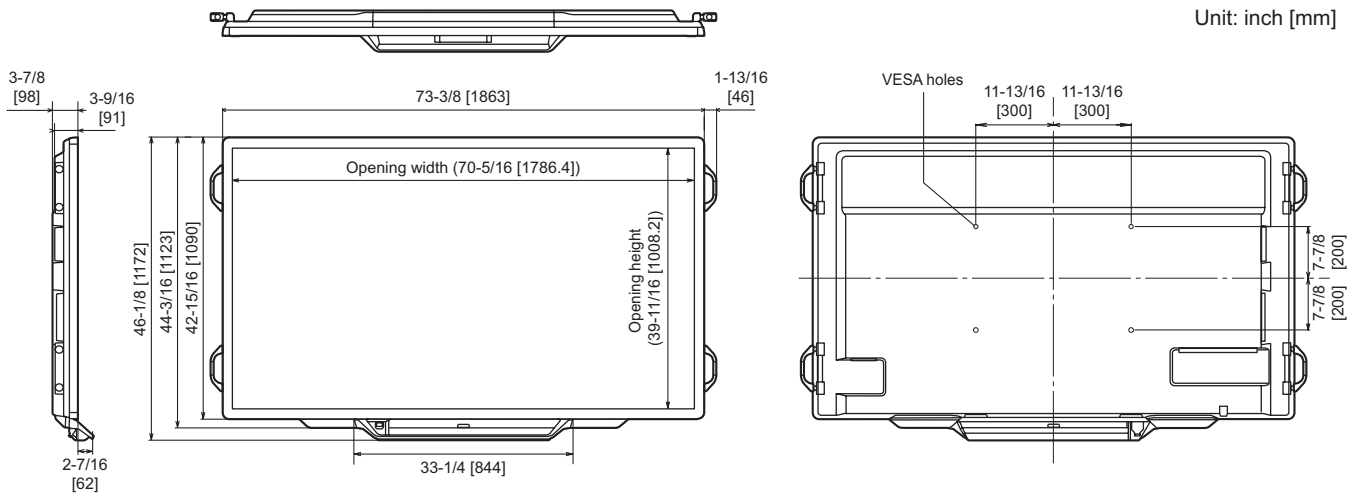
\*5 When CONNECT AUTO INPUT SELECT and NO SIGNAL AUTO INPUT SEL. are set to OFF.

\*6 When POWER SAVE MODE is set to ON. When POWER SAVE MODE is set to OFF: 1.0 W

As a part of our policy of continuous improvement, SHARP reserves the right to make design and specification changes for product improvement without prior notice. The performance specification figures indicated are nominal values of production units. There may be some deviations from these values in individual units.

**■Dimensional Drawings**

Note that the values shown are approximate values.



When mounting the monitor, be sure to use a wall-mount bracket that complies with the VESA-compatible mounting method. SHARP recommends using M6 screws and tighten the screws. Note that screw hole depth of the monitor is 3/8 inch (10 mm). Loose mounting may cause the product to fall, resulting in serious personal injuries as well as damage to the product. The screw and hole should come together with over 5/16 inch (8 mm) length of thread. Use a bracket which has been approved for UL1678 standard, and which can endure at least 4 times or more the weight of the monitor.

**■Power management**

This monitor conforms to VESA DPMS. Both your video card and computer must support the same standard in order for the monitor's power management function to work.

DPMS: Display Power Management Signaling

DPMS	Screen	Power consumption	Hsync	Vsync
ON STATE	Display	325 W	Yes	Yes
STANDBY	No display	7.0 W*	No	Yes
SUSPEND			Yes	No
OFF STATE			No	No

\* When CONNECT AUTO INPUT SELECT and NO SIGNAL AUTO INPUT SEL. are set to OFF.

## Specifications

### ■DDC (plug and play)

The monitor supports the VESA DDC (Display Data Channel) standard.

DDC is a signal standard for plug and play between monitors and computers. Information about resolution and other parameters is exchanged between the two. This function can be used if the computer supports DDC and it has been configured to detect plug-and-play monitors.

There are several types of DDC, depending on the communication method used. This monitor supports DDC2B.

### ■Compatible signal timing (PC)

Screen resolution		Vsync	Digital		Analog (D-SUB)	
			DisplayPort	HDMI		
VESA	640 × 480	60Hz	Yes	Yes	Yes	
		72Hz	Yes	Yes	Yes	
		75Hz	Yes	Yes	Yes	
	800 × 600	56Hz	-	-	Yes	
		60Hz	Yes	Yes	Yes	
		72Hz	Yes	Yes	Yes	
	848 × 480	60Hz	-	-	Yes	
		1024 × 768	60Hz	Yes	Yes	Yes
			70Hz	Yes	Yes	Yes
	75Hz		Yes	Yes	Yes	
	1152 × 864	75Hz	Yes	Yes	Yes	
	1280 × 768	60Hz	Yes	-	Yes	
		75Hz	Yes	-	Yes	
	1280 × 800	60Hz	Yes	Yes	Yes	
	1280 × 960	60Hz	Yes	Yes	Yes	
	1280 × 1024	60Hz	Yes	Yes	Yes	
		75Hz	Yes	Yes	Yes	
	1360 × 768	60Hz	Yes	Yes	Yes	
	1400 × 1050	60Hz	Yes	Yes	Yes	
	1440 × 900	60Hz	Yes	Yes	Yes	
1600 × 1200	60Hz	Yes <sup>*2</sup>	Yes	Yes		
1680 × 1050	60Hz	Yes	Yes	Yes		
1920 × 1200	60Hz	-	Yes	Yes		
Wide	3840 × 2160	24Hz	Yes <sup>*2</sup>	Yes	-	
		25Hz	Yes <sup>*2</sup>	Yes	-	
		30Hz	Yes <sup>*2</sup>	Yes	-	
		50Hz	Yes <sup>*3</sup>	Yes	-	
		60Hz	Yes <sup>*3</sup>	Yes	-	
	4096×2160 <sup>*1</sup>	24Hz	Yes <sup>*2</sup>	Yes	-	
		25Hz	Yes <sup>*2</sup>	Yes <sup>*4</sup>	-	
		30Hz	Yes <sup>*2</sup>	Yes <sup>*4</sup>	-	
		50Hz	Yes <sup>*3</sup>	Yes	-	
		60Hz	Yes <sup>*3</sup>	Yes	-	
	1280 × 720	60Hz	Yes	Yes	Yes	
	1920 × 1080	60Hz	Yes	Yes	Yes	
US TEXT	720 × 400	70Hz	Yes	Yes	Yes	
Sun	1024 × 768	60Hz	-	-	Yes	
		66Hz	-	-	Yes	
		70Hz	-	-	Yes	
	1152 × 900	66Hz	-	-	Yes	
		76.2Hz	-	-	Yes	
	1280 × 1024	67.2Hz	-	-	Yes	
		76Hz	-	-	Yes	
	1600 × 1000	66Hz	-	-	Yes	

\*1 Displays a reduced image, except in Dot by Dot. In Dot by Dot, the image will be cut down to panel size then displayed.

\*2 Compatible when DisplayPort STREAM is SST1 or SST2.

\*3 Compatible when DisplayPort STREAM is SST2.

\*4 Compatible when HDMI MODES is MODE1.

- Depending on the connected computer, images may not be displayed properly even if the compatible signal described above is input.
- The frequency values for the Sun are reference values.

## ■Compatible signal timing (AV)

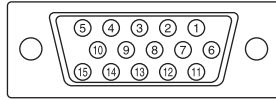
Screen resolution	Frequency	HDMI	Component
4096 × 2160p	24Hz	Yes	-
	25Hz	Yes*	-
	30Hz	Yes*	-
	50Hz	Yes	-
	59.94Hz	Yes	-
	60Hz	Yes	-
3840 × 2160p	24Hz	Yes	-
	25Hz	Yes	-
	30Hz	Yes	-
	50Hz	Yes	-
	59.94Hz	Yes	-
	60Hz	Yes	-
1920 × 1080p	24Hz	Yes	-
	50Hz	Yes	Yes
	59.94Hz	Yes	Yes
	60Hz	Yes	Yes
1920 × 1080i	50Hz	Yes	Yes
	59.94Hz	Yes	Yes
	60Hz	Yes	Yes
1280 × 720p	50Hz	Yes	Yes
	59.94Hz	Yes	Yes
	60Hz	Yes	Yes
720 × 576p	50Hz	Yes	Yes
720 × 480p	59.94Hz	Yes	Yes
	60Hz	Yes	Yes
640 × 480p	59.94Hz	Yes	-
	60Hz	Yes	-
720(1440) × 576i	50Hz	Yes	Yes
720(1440) × 480i	59.94Hz	Yes	Yes
	60Hz	Yes	Yes

\* Compatible when HDMI MODES is MODE1.

# Specifications

## ■D-sub input terminal pins

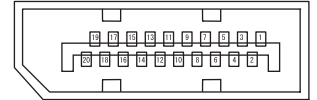
(Mini D-sub 15 pin)



No.	Function	No.	Function
1	Red video signal input	9	+5V
2	Green video signal input	10	GND
3	Blue video signal input	11	N.C.
4	N.C.	12	DDC data
5	GND	13	Hsync signal input
6	GND for red video signal	14	Vsync signal input
7	GND for green video signal	15	DDC clock
8	GND for blue video signal		

## ■DisplayPort input terminal pins

(DisplayPort 20 pin)



No.	Function	No.	Function
1	MainLane 3-	11	Gnd
2	Gnd	12	MainLane 0+
3	MainLane 3+	13	Gnd
4	MainLane 2-	14	Gnd
5	Gnd	15	Aux +
6	MainLane 2+	16	Gnd
7	MainLane 1-	17	Aux -
8	Gnd	18	Hot-plug detection
9	MainLane 1+	19	Gnd
10	MainLane 0-	20	3.3V

## ■HDMI input terminal pins

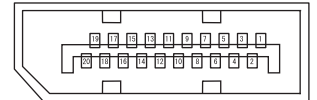
(HDMI Connector)



No.	Function	No.	Function
1	TMDS data 2+	11	TMDS clock shield
2	TMDS data 2 shield	12	TMDS clock-
3	TMDS data 2-	13	CEC
4	TMDS data 1+	14	N.C.
5	TMDS data 1 shield	15	SCL
6	TMDS data 1-	16	SDA
7	TMDS data 0+	17	DDC/CEC GND
8	TMDS data 0 shield	18	+5V
9	TMDS data 0-	19	Hot-plug detection
10	TMDS clock+		

## ■DisplayPort output terminal pins

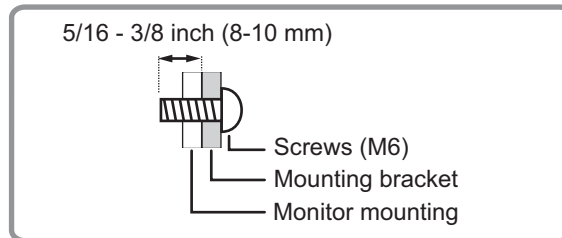
(DisplayPort 20 pin)



No.	Function	No.	Function
1	MainLane 0+	11	Gnd
2	Gnd	12	MainLane 3-
3	MainLane 0-	13	Gnd
4	MainLane 1+	14	Gnd
5	Gnd	15	Aux +
6	MainLane 1-	16	Gnd
7	MainLane 2+	17	Aux -
8	Gnd	18	Hot-plug detection
9	MainLane 2-	19	Gnd
10	MainLane 3+	20	3.3V

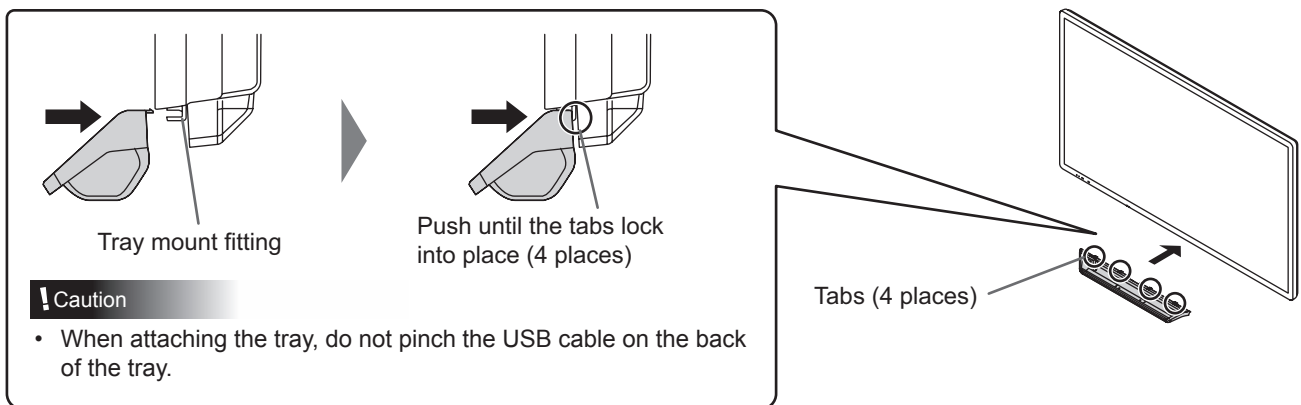
# Mounting Precautions (For SHARP dealers and service engineers)

- When installing, removing or moving the monitor, ensure that this is carried out by at least 4 people.
- Be sure to use a wall-mount bracket designed or designated for mounting the monitor.
- This monitor is designed to be installed on a concrete wall or pillar. Reinforced work might be necessary for some materials such as plaster / thin plastic board / wood before starting installation.  
This monitor and bracket must be installed on a wall which can endure at least 4 times or more the weight of the monitor. Install by the most suitable method for the material and the structure.
- To attach a VESA-compliant mounting bracket, use M6 screws that are 5/16 inch (8 mm) to 3/8 inch (10 mm) longer than the thickness of the mounting bracket.

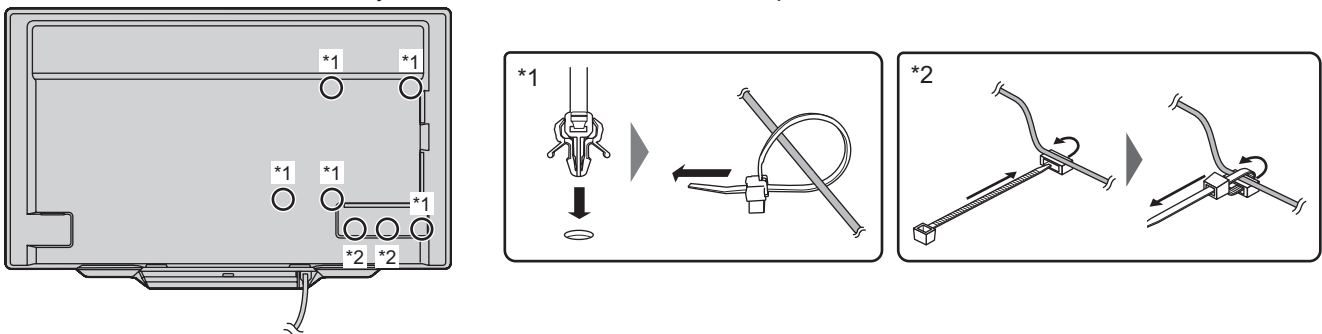


- Do not use an impact driver.
- After mounting, please carefully ensure the monitor is secure, and not able to come loose from the wall or mount.
- Do not use any screw holes other than VESA holes for installation.
- When moving this monitor, be sure to hold it with the handles, the unit sides, the unit bottom or the unit top. Do not grasp the screen, unit corner, tray, speaker, or speaker cover. This may cause product damage, failure, or injury.
- If you need to temporarily place the monitor on a table or other surface during installation, spread a thick soft cloth on the table to prevent damage to the screen and table.
- Prior to repacking or removal, remove the tray and speaker covers.
- This monitor should not be mounted flat or used as a touch table type installation. Please consult an authorized SHARP dealer before considering any type of flat installation (when the monitor is tilted more than 20 degrees upward from the perpendicular in relation to a level surface), and find out about the mandatory flat mounting instructions.

## ■Attaching the Tray

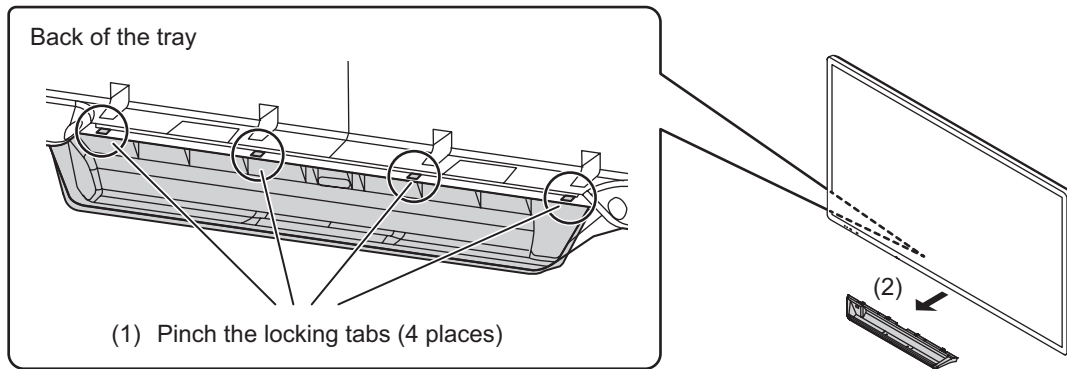


The USB cable on the back of the tray can be fastened with the cable clamp to the rear of the monitor.

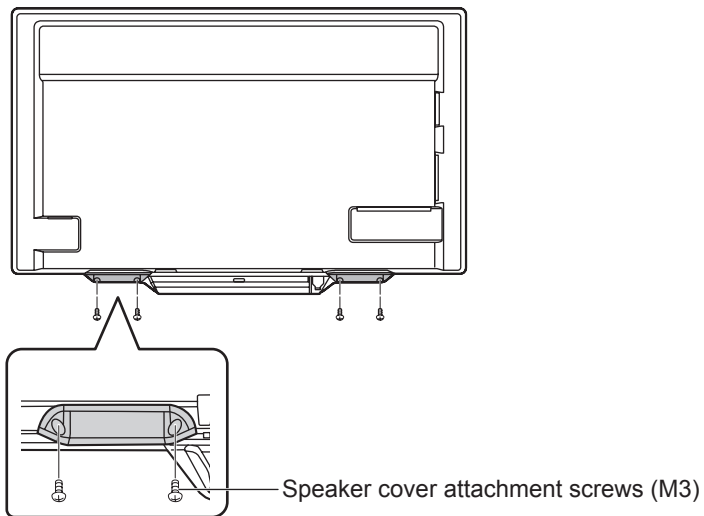


## Mounting Precautions (For SHARP dealers and service engineers)

### ■Removing the Tray



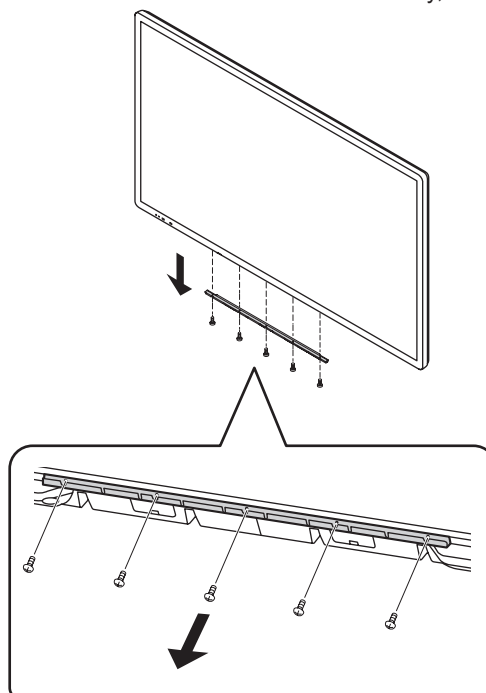
### ■Attaching the speaker covers



If you will use the monitor in a portrait orientation, the speaker cover is not used.

### ■Removing the tray mount fitting

If you will use the monitor in a portrait orientation or will otherwise not use the tray, remove the tray mount fitting.





**SHARP**<sup>®</sup>  
SHARP CORPORATION