

22" Class Slim HD Widescreen Monitor

L215DS

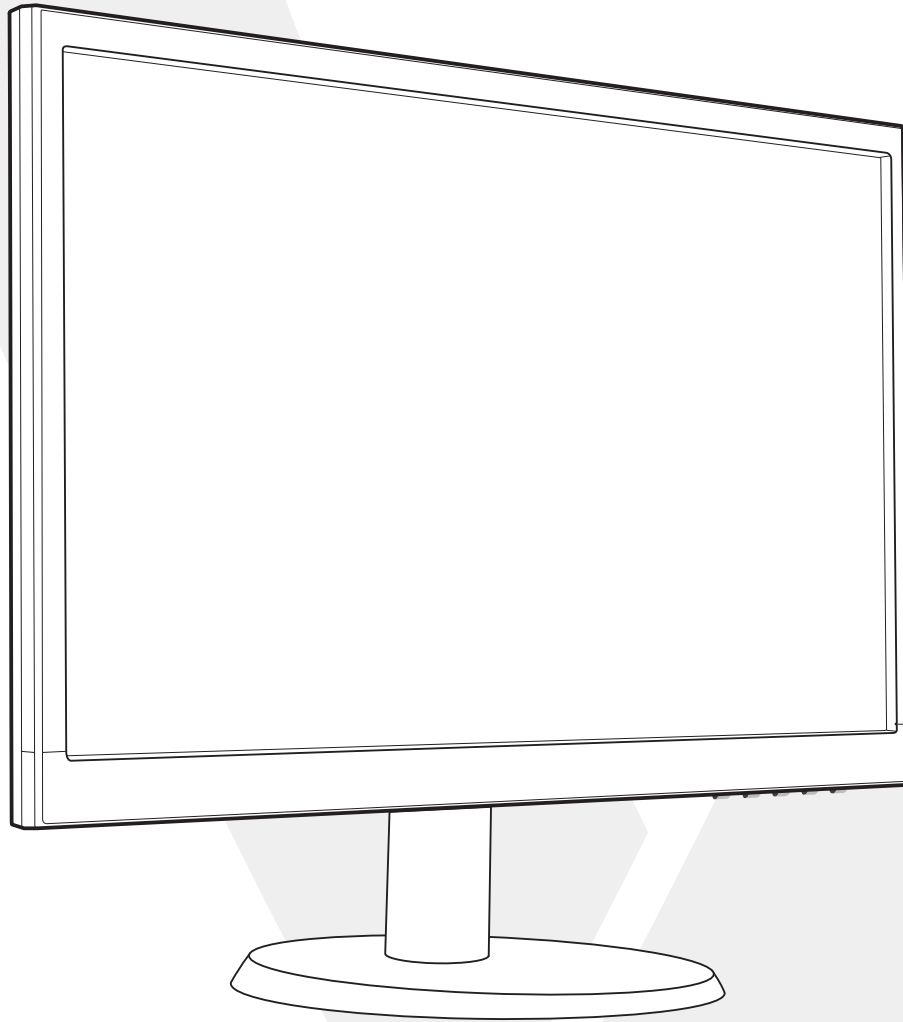


TABLE OF CONTENTS

1 Getting Started

Package Includes

Installation

2 Control Panel / Back Panel

Control Panel

Back Panel

3 On Screen Display

4 Technical Specs

5 Care & Maintenance

6 Troubleshooting

No Power

Power on but no screen image

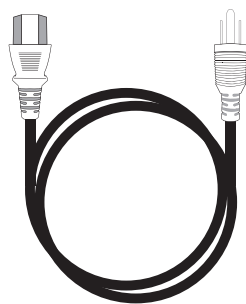
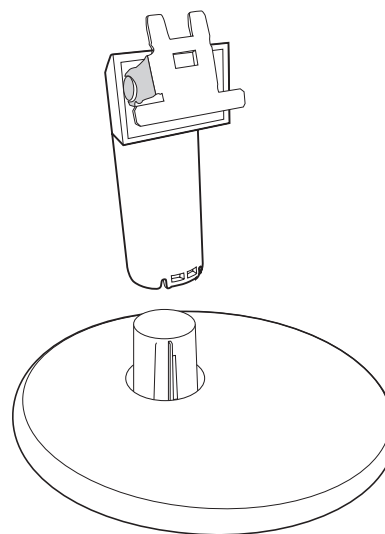
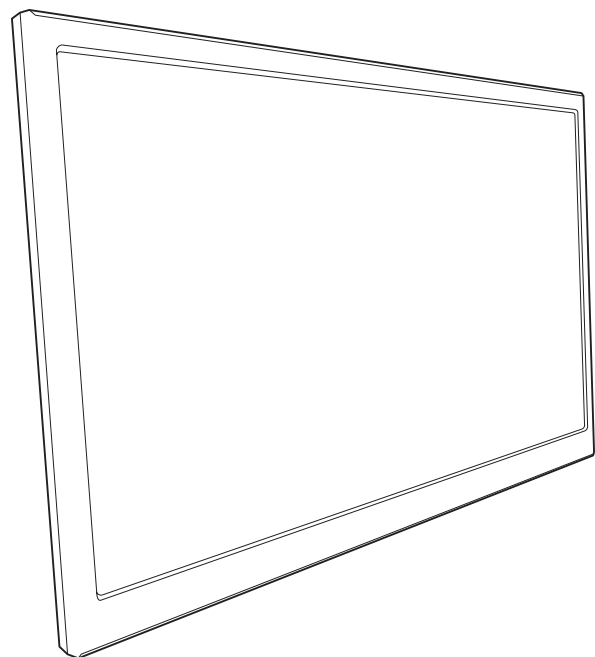
Wrong or Abnormal Colors

7 Safety info & FCC warning

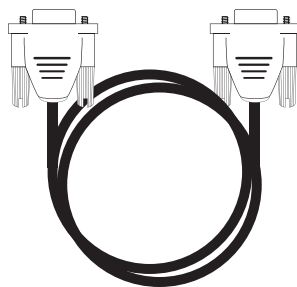
1 GETTING STARTED

Package Includes

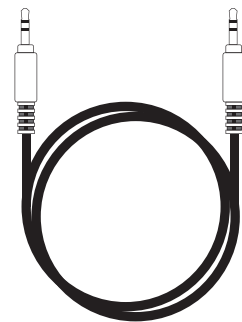
- AC Power Cord
- VGA Cable
- Audio Cable
- Quick Start Guide



AC Power Cord



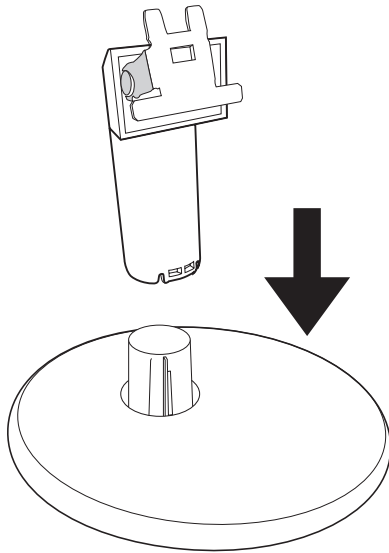
VGA Cable



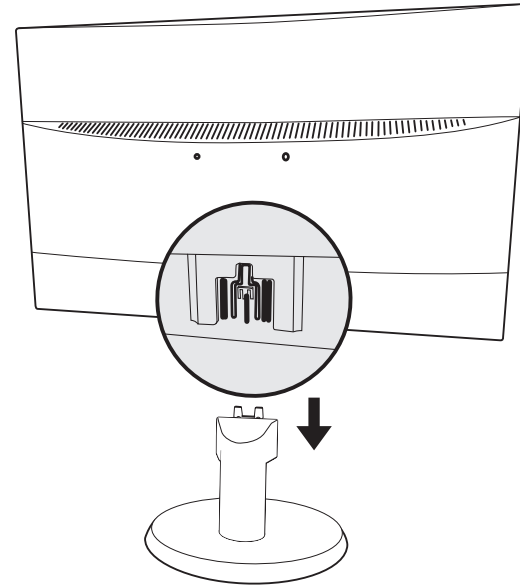
Audio Cable

Installation

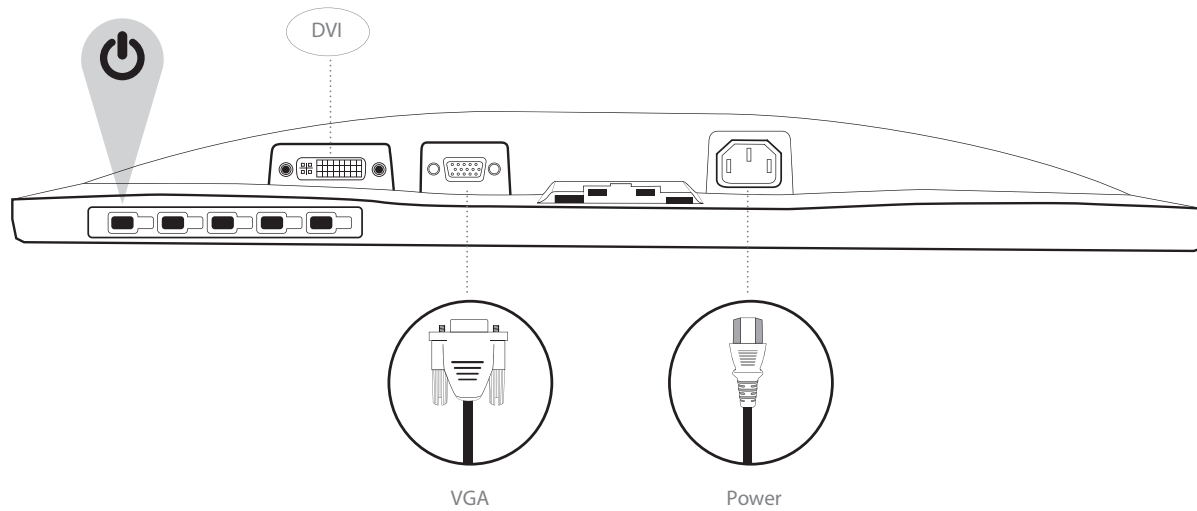
1. Insert post into base



2. Slide Post into monitor slot

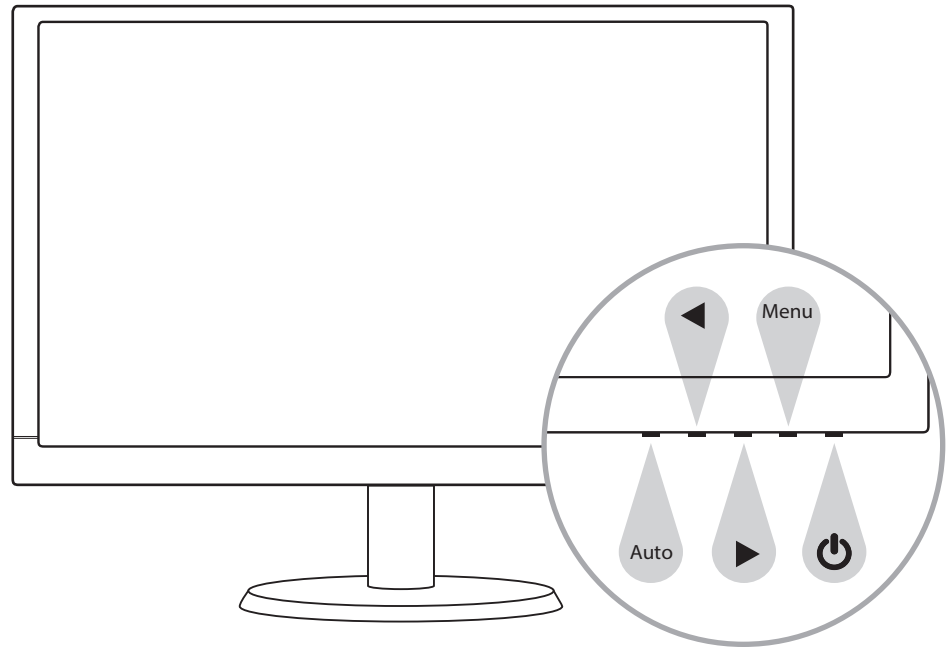


3. Connect Video Cable, Connect Power Cord

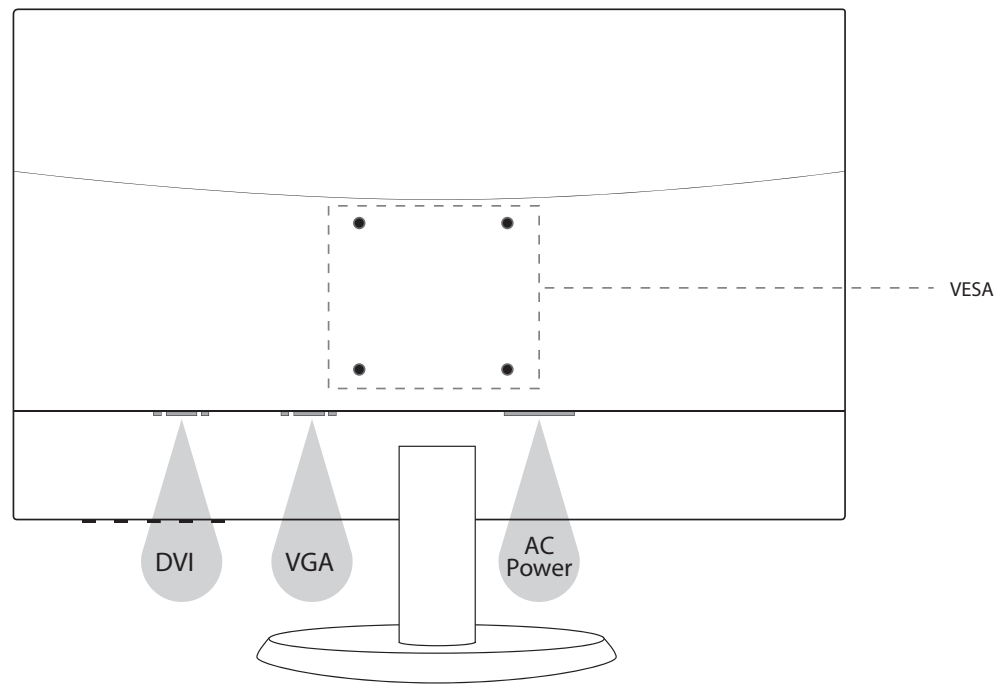


4. Power on Computer and Monitor

Control Panel



Back Panel

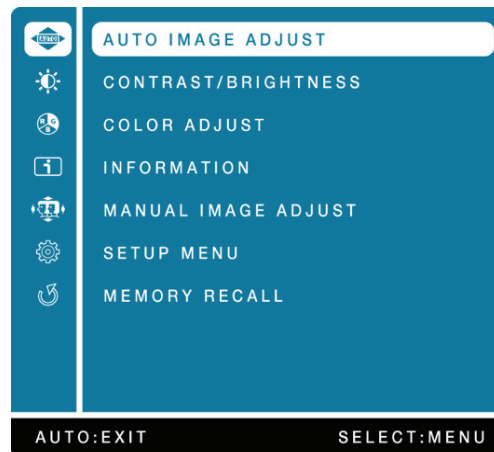







3 ON SCREEN DISPLAY

Using On Screen Display (OSD) Function




Menu	Display main menu
	Exit from OSD menu
Auto	Auto Adjust of the screen
▶	Select the desired item when in OSD menu
	When not in OSD menu, directly enters COLOR VISION MODE
◀	Select the desired item when in OSD menu
	When not in OSD menu, directly enters CONTRAST/BRIGHTNESS
◀ + ▶	Recall both of Contrast and Brightness (when not in OSD menu)
Menu + ▶	Power Lock (when not in OSD menu)
Menu + ▶	OSD Lock (when not in OSD menu)

Main Menu



Short Cuts Function from the button(s)		
	Auto Image Adjust	To auto adjust Horizontal Position, Vertical Position, Phase (Fine Tune) and Clock (H. Size) of the screen
	Contrast/Brightness	To manually adjust the CONTRAST, BRIGHTNESS, DCR and ECO of screen image
		CONTRAST: To adjust the foreground white level of screen image ▶ increase contrast ◀ decrease contrast
		BRIGHTNESS: To adjust the luminance of the video ▶ increase contrast ◀ decrease contrast
		DCR: To detect the distribution of the visual signals inputs, and create an optimized contrast
		ECO: Allows the user to change the ECO mode. Brightness adjustment will be disabled when ECO is active
	Input Source	When Input Source is pressed, change input signal to VGA or DVI
	Color Adjust	To select the color for improving brightness and color saturation between COOL, NORMAL, WARM, USER COLOR
		COOL: Adds blue to screen image for cooler white
		NORMAL: Adds red to screen image for warmer white and richer red
		WARM: Adds green to screen image for a darker color
		USER COLOR: Individual adjustments for red (R), green (G), Blue (B) 1. Press MENU button to select the desired color 2. Press ▶ or ◀ button to adjust selected color
	Information	To display the information, regarding the current input signal coming from the graphic card in your computer. Note: See your graphic card user guide for more information about changing the resolution and refresh rate.

Short Cuts Function from the button(s)

	<p>Manual Image Adjustment</p>	<p>To manually adjust the H. / V. Position, Horizontal size, Fine tune, Sharpness, Video mode adjustment and Picture mode.</p> <p>H. / V. Position: To adjust the width of the screen image.</p> <p>H. Position: ► : move screen to the right, ◀ : move screen to the left.</p> <p>V. Position: ► : move screen up, ◀ : move screen down.</p> <p>Horizontal Size: To adjust the width of the screen image.</p> <p>Fine tune: To adjust the delay time of data and clock Press ► or ◀ to adjust to your preference.</p> <p>Sharpness: To adjust the clarity of a non-Full HD Resolution (1920x1080) signal with ► or ◀ button</p> <p>Video mode adjust: To select the video mode from 16:9 or 4:3</p> <p>Picture mode: Provides an optimum display environment depending on the contents displayed. It contains 5 user-selectable presets.</p> <ul style="list-style-type: none"> • Standard is for general windows environment and monitor default setting. • Game optimized for PC game environment • Video optimized for movie and video environment • Landscape optimized for displaying outdoor scenery images. • Text optimized for text editing and viewing in a word processing environment
	<p>Menu Setting</p>	<p>Menu Setting: To set up Language select, OSD Position, OSD time out and OSD background</p> <p>Language Select: To allow users to choose from available languages</p> <p>OSD Position: Press ► or ◀ button to select between horizontal and vertical OSD Position Adjustment.</p> <p>OSD H. Position: To horizontally adjust the OSD Position ► : move OSD to the right, ◀ : move OSD to the left</p> <p>OSD V. Position: To vertically adjust the OSD position. ► : move OSD up, ◀ : move OSD down.</p> <p>OSD time out: To automatically turn off On Screen Display (OSD) after a preset period of time.</p> <p>OSD background: Allows the user to turn the OSD background On or Off</p>
	<p>Memory recall</p>	<p>To recall factory settings for Video controls. Press MENU button to select the Memory Recall menu option.</p>

4 TECHNICAL SPECS

Technical Specification

LED Panel	54.7cm (21.5") TFT (with LED back light)
Power Management	VESA DPMS compatible Off Mode, < 0.5 W
Displayable Resolution	Full HD 1920 x 1080 max. Vertical Frequency 60Hz max.
Pixel Dimension	0.24825 x 0.324825 mm
LED Display Color	16.7M
Tilt	-3°~18° (±3°)
Active Display Area	476.64mm x 268.11 mm
Temperature	Operating: 0°C ~ + 40°C Storage: -20°C ~ + 60°C
Compliance	CE,WEEE
Power	Input Voltage AC100-240 V

Care

- Avoid exposing your monitor directly to sunlight or other heat source. Place your monitor away from the sun to reduce glare.
- Put your monitor in a well ventilated area.
- Do not place any heavy things on top of your monitor
- Make certain your monitor is installed in a clean and moisture-free area.
- Keep your monitor away from magnets, motors, transformers, speakers, and TV sets.

Safety Tips

- If smoke, abnormal noise or odor came out from your monitor, caution you should remove the power cord immediately and call your service center.
- Never remove the rear cover of your monitor cabinet. The display unit inside contains high-voltage parts and may cause electric shock to human bodies.
- Never try to repair your monitor yourself. Always call your service center or a qualified technician to fix it.

6 TROUBLESHOOTING

No Power

- Make sure AC power cord is securely connected to the power adapter and the power supply is firmly connected to the monitor
- Plug another electrical device into the power outlet to verify that the outlet is supplying proper voltage
- Make sure all signal cables are installed

Power on but no screen image

- Make sure the video cable supplied with the monitor is tightly secured to the video output port on back of the computer. If not, tightly secure it.
- Adjust brightness

Wrong or abnormal colors

- If any colors (red, green, blue) are missing, check the video cable to make sure it is securely connected. Loose or broken pins in the cable connector could cause an improper connection
- Connect the monitor to another computer

Safety Precautions

This monitor is manufactured and tested on a ground principle that a user's safety comes first. However, improper use or installation may result danger to the monitor as well as to the user. Carefully go over the following WARNINGS before installation and keep this guide handy.

WARNINGS

- This monitor should be operated only at the correct power sources indicated on the label on the rear end of the monitor. If you're unsure of the power supply in your residence, consult your local dealer or power company.
- Do not try to repair the monitor yourself as it contains no user-serviceable parts. The monitor should only be repaired by a qualified technician.
- Do not remove the monitor cabinet. There is high-voltage parts inside that may cause electric shock to human bodies, even when the power cord is disconnected.
- Stop using the monitor if the cabinet is damaged. Have it checked by a service technician.
- Put your monitor only in a clean, dry environment. Unplug the monitor immediately if gets wet and consult your service technician.
- Always unplug the monitor before cleaning it. Clean the cabinet with a clean, dry cloth. Apply non-ammonia based cleaner onto the cloth, not directly onto the glass screen.
- Keep the monitor away from magnetic objects, motors, TV sets, and transformer.
- Do not place heavy objects on the cable or power cord.
- Due to safety concerns, if the VESA mounting kit is purchased separately, please make sure the mounting kit is UL-Listed, and replaceable only by service personnel.

FCC RADIO FREQUENCY INTERFERENCE STATEMENT

WARNING: (FOR FCC CERTIFIED MODELS)

Statement: This device complies with Part 15 of the FCC Rules. Operation is subject to the following two conditions: (1) This device may not cause harmful interference, and (2) This device must accept any interference received, including interference that may cause undesired operation. This equipment has been tested and found to comply with the limits of a Class B digital device, pursuant to Part 15 of the FCC Rules. These limits are designed to provide reasonable protection against harmful interference in a residential installation. This equipment generates, uses, and can radiate radio frequency energy and if not installed and used in accordance with the instructions, may cause harmful interference to radio communications. However, there is no guarantee that interference will not occur in a particular installation. If this equipment does cause harmful interference to radio or television reception, which can be determined by tuning the equipment off and on, the user is encouraged to try to correct the interference by one or more of the following measures:



- Reorient or relocate the receiving antenna;
- Increase the separation between the equipment and receiver;
- Connect the equipment into an outlet on a circuit different from that to which the receiver is connected;
- Consult the dealer or an experienced radio/TV technician for help

FCC Warning:

To assure a continued FCC compliance, a user must use a grounded power supply cord and the provided shielded video interface cable with bonded ferrite cores. Also, any unauthorized changes or modifications to this monitor would void the user's authority to operate this device.

Note: If necessary, shielded interface cables and AC power cord must be used to meet the emission level limits.